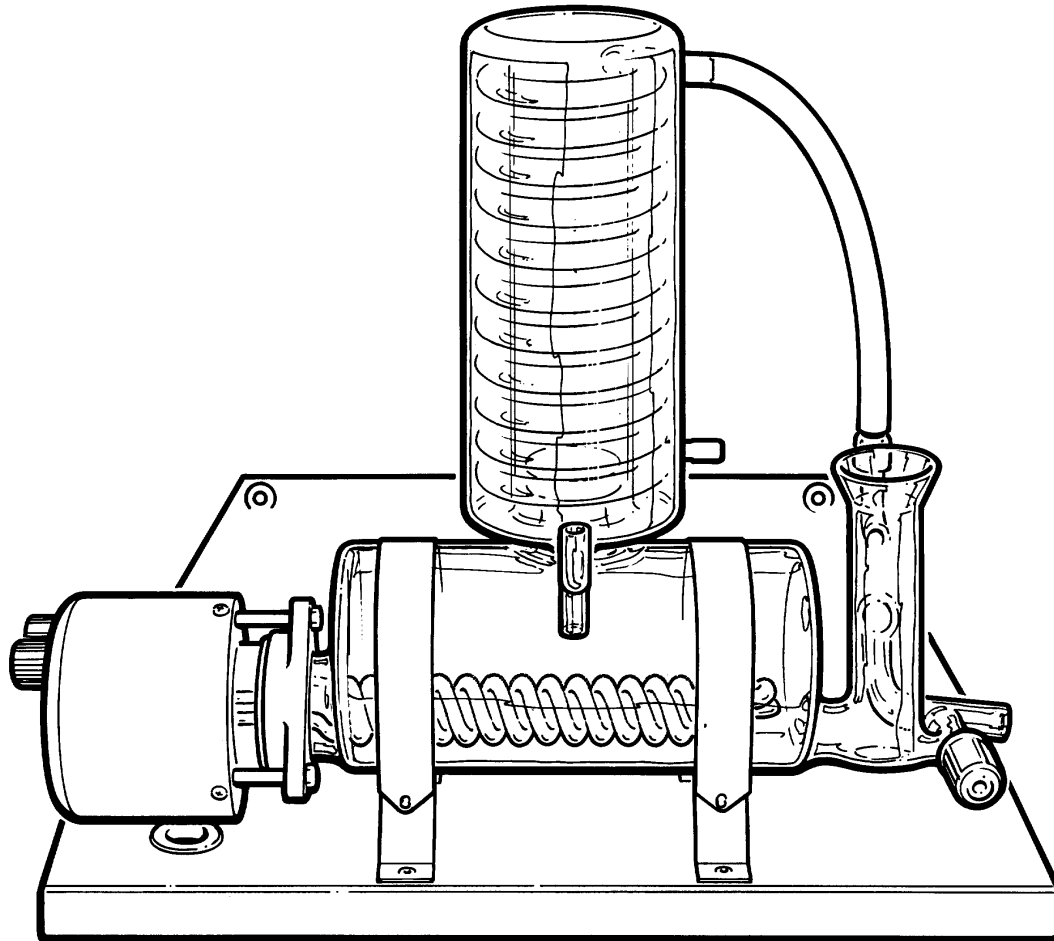


Cole-Parmer®

WS-100 Series

Water Stills



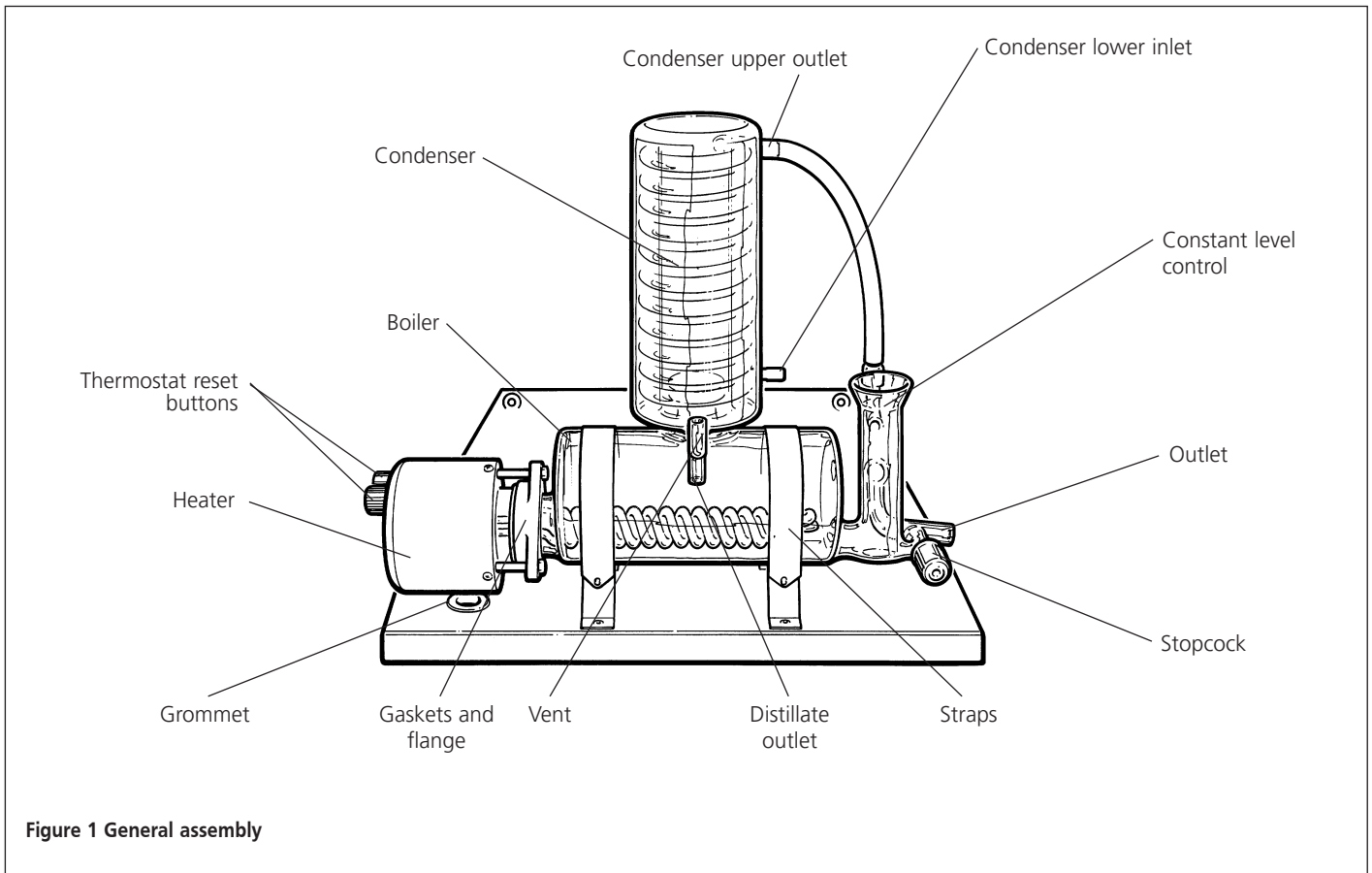
Instruction Manual

700492-CPB ISSUE 1.2

Cole-Parmer®
essentials

Cole-Parmer Water Still WS-100-4 & WS-100-4-220

English



Before use

If the equipment is not used in the manner described in this manual the protection provided by the equipment may be impaired.

Note: The Water still is classified as "Permanently Connected Equipment" and should be connected to the electricity supply by a qualified electrician in the manner described in the electrical installation section of this manual.

The Cole-Parmer Water Still is designed to operate under the following conditions:

- ❖ For indoor use only
- ❖ Ambient temperature range +5°C to +40°C
- ❖ Altitude up to 2000m
- ❖ Relative humidity not exceeding 80%
- ❖ Mains supply voltage fluctuations not greater than $\pm 10\%$ of nominal
- ❖ Overvoltage category II IEC60364-4-443
- ❖ Pollution degree 2 IEC664

Location

The Cole-Parmer Water Still can be wall or bench mounted. Select a convenient location which has access to the following services:–

Electricity Supply

Before connection please ensure that the line supply is suitable. The Cole-Parmer Water Still WS-100-4 is suitable for supplies rated at 3kW, 220-240V, 50/60Hz~ single phase. WS-100-4-220 is suitable for supplies rated at 3kW, 200-240V, 50/60Hz~ single phase. Supplies should be fitted with a 30mA RCD circuit breaker.

Water Supply

A cold water supply capable of providing a minimum flow rate of 60 l/hr. Ensure all water supplies are earth bonded.

Drain

A waste water drain located below the level of the still so that the drain pipe can fall away straight without kinks or bends, to allow an unimpeded flow. Ensure all drainage systems are earth bonded.

Reservoir

A distillate collection reservoir should be located beneath the still.

Assembly

Your Cole-Parmer WS-100-4 has been designed with ease of assembly specifically in mind, but before commencing assembly please study the illustrations and text to familiarise yourself with the general lay-out. During assembly, follow the sequence of instructions and do not connect the mains electricity supply until directed.

1. Unpack the water still and identify the following components:–

Qty.	Component	Catalogue No.
1	Support stand with 2 boiler straps	W4000/S
1	Boiler	W4000/B
1	Condenser	WC48/M2
1	Heater or	A6/6 (240V) A6/6/EURO (220V)
1	Gasket Kit	W4000/GK
1	Hose Kit	W4000/HK

2. Take the metal stand and place in the desired location. Note that 2 screw holes are provided for wall fitting.



If wall mounting you must ensure you use appropriate wall fixings that can hold a minimum weight of 28KG. If you are in any doubt seek professional advice.

3. Take the boiler W4000/B, the heater and gasket kit W4000/GK.

Assemble the heater into the boiler as shown in Figure 2.

- i) Insert the 3 bolts provided into the holes in the metal flange and place the metal flange over the tapered glass tube of the boiler – ensuring that the flat side of the flange faces the boiler.
- ii) Take the plastic insert and place this round the glass tube and into the metal flange. Pull the flange and insert towards the end of the glass tube so that they press onto the glass.
- iii) Place the rubber gasket over the heater coils and then insert the heating element through the tapered glass tube and into the boiler.
- iv) Now secure the heater using the 3 bolts. Do not over tighten.

4. Feed the electric cable of the heater through the hole in the base of the support stand. Place the boiler and heater assembly in the 'cradle' of the stand. Ensure the stopcock on the boiler is facing to the front. Secure with the 2 straps provided.
5. Ensure that the sealing o-ring and stabilising o-ring are correctly positioned, as shown in Figure 3. Fit the condenser WC48/M2 by mounting it onto the vapour tube of the boiler. Ensure the

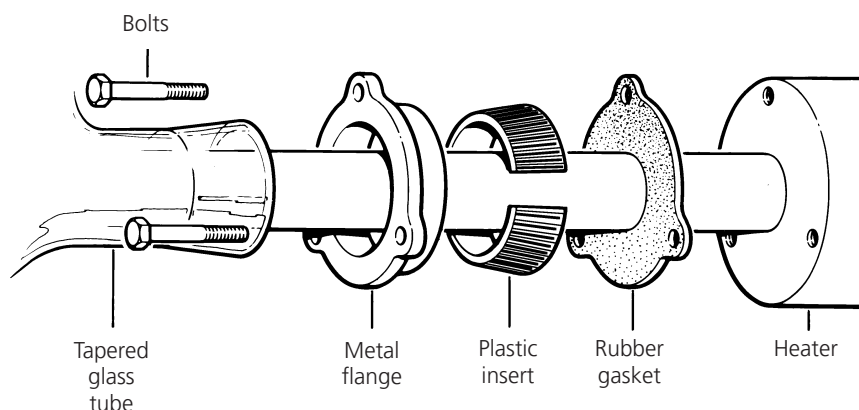
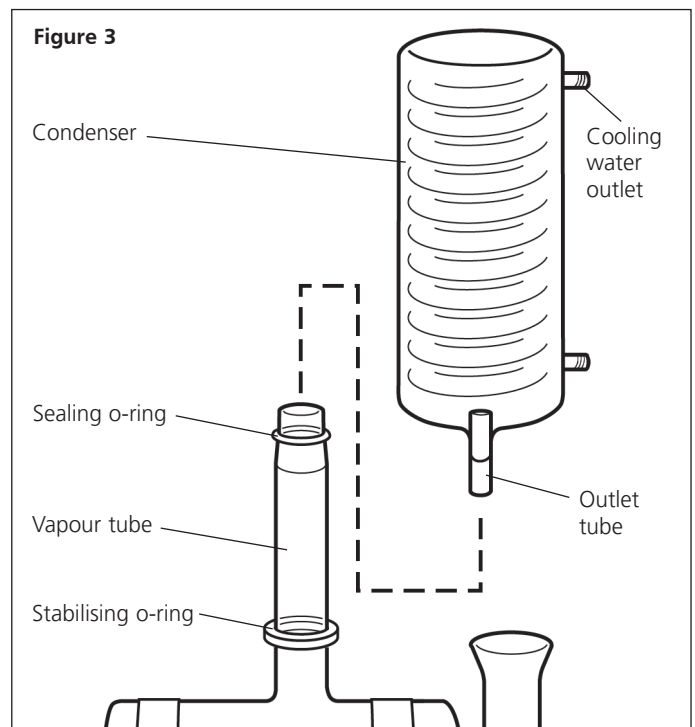


Figure 2 Flange assembly

distillate outlet tube of the condenser faces the front and the cooling outlet faces parallel to the unit.

- From the hose kit take the 225mm length of 8mm bore plastics hose fitted with screwthread connectors at either end. Referring to Figure 1, screw one end of the hose to the upper outlet of the condenser and the other end to the glass thread on the constant level control. If the Still has been correctly assembled the hose should comfortably reach, without any strain.
- Take the 1000mm length of 16mm bore plastic hose and carefully connect to the outlet of the constant level control. For easy connection first warm the hose with hot water. Secure with a tie strap.
- Lead the free end of the tubing to drain, ensuring it falls away from the still with no kinks or bends to impede water flow.
- Ensure the stopcock on the constant level control is closed.
- Connect the lower inlet of the condenser to the cold water feed supply. A plastic screwthread connector is provided for easy attachment to the condenser.

Select good quality tubing and ensure all connections are secured with hose clips.

- Connect the distillate outlet on the condenser to a suitable collection reservoir.
- Turn on the water supply and test for leaks then turn off the water supply.

Electrical installation



THIS EQUIPMENT MUST BE EARTHED!

The electrical installation should only be carried out by a qualified electrician.

The equipment is supplied with 1.7m of flexible triple core circular cable to CMA 3183 TQ specification. The conductors are 1.5mm² to BS 6360 Class 5 insulated with E.P.R. The outer sheath is 85°C heat resisting type C.S.P. to HOFER, BS 6500 Table 9.

Connection to the mains electrical supply, should be via a double pole 30mA RCD isolation circuit breaker with a continuous current carrying capacity of 15A at 250v and overcurrent protection of 15A, 250V .

These devices should be sited near to the equipment and clearly marked – “Disconnect device for Cole-Parmer Water Still”

Connect to the line supply noting that the wires in the instrument lead are coloured in accordance with the following code:–

Brown	– Live
Blue	– Neutral
Yellow/Green	– Earth

Mains Cable Replacement

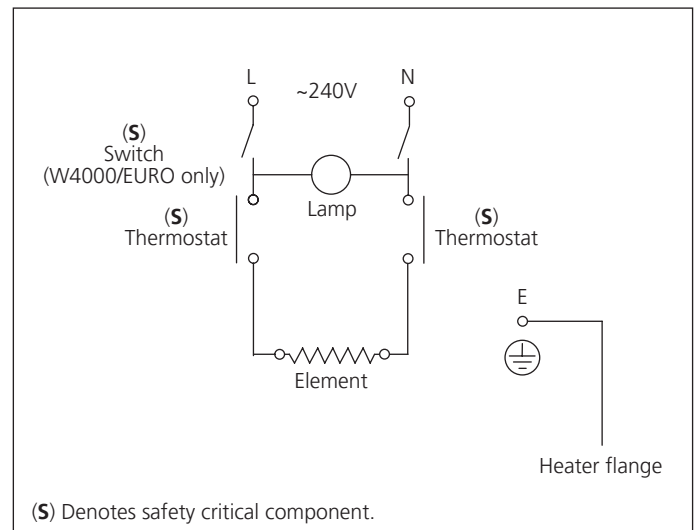
If the mains cable requires replacement, only specially prepared spare mains lead obtained from Antylia Scientific should be used.

Hot warning



Some parts of the product may become hot during use. These are clearly marked with 'Hot Warning Labels. Avoid touching these parts.

Circuit diagram



Operation

- Turn on the cold water supply and adjust the flowrate to approx. 60 l/h.

Note: It is strongly recommended to measure the flow rate, failure to do so can result in possible injury from hot water exiting from the Still. If a flow meter isn't available a simple measurement can be performed with a 1L beaker. Over a timed period of five minutes the beaker should be completely filled five times.

Observe that the water flows via the condenser and into the boiler. Wait until the boiler has attained its correct operating level and make sure that the excess water is flowing freely to drain.

- Switch on the electricity supply to the heating element at the mains isolation switch.

For the WS-100-4-220 version, switch on the switch situated on the heater.

- After a few minutes the water will start to boil and distillate will emerge from the condenser. With new glassware, or after cleaning, it is advisable to allow this to run to drain for approximately 30 minutes before beginning collection.
- To turn off the still, first turn off the heating element but allow the cooling water to continue for a further 10 minutes to allow the still to cool.

WARNING!

Do not use this equipment to distil any liquid other than water.

Safety cut-outs

The Cole-Parmer Water Still is protected by two safety cut-outs:



Boiler heater thermostats

Should the boiler water level fall and expose the element the thermostats will operate and turn off the electricity supply to the element.

After operation of either of the thermostats, normal operation may be resumed by resetting the thermostats by means of their respective reset buttons mounted on the end of the heater end cover.

Remove the black plastic cover and then press the button – a slight click will be heard if the thermostat had operated.



Before resetting either thermostat the still should be allowed to cool completely and the cause of cut-out operation identified and rectified.

If the thermostats continue to operate consult a qualified electrician or the Service Department of Antylia Scientific.

Care and maintenance

Note: Before commencing any maintenance, cleaning or fault finding the equipment should be isolated from the mains electricity supply. These operations should be only carried out by suitably qualified personnel.

Only spare parts supplied or approved by Antylia Scientific, or its agent should be used. Fitting of non-approved parts may affect the performance or safety of the equipment.

Maintenance

Due to the nature of these parts it is necessary to periodically check the quality of the plastic connectors and hoses. There should be no strain on the connectors or hoses. Both the hoses and connectors should be intact without any cracking. If any damage is discovered on these parts the Still should immediately be turned off, as detailed under the "Operation" section of this manual, and not used again before these parts are replaced. Please refer to the "List of spare parts" section of this manual for order codes.

Cleaning

Over a period of operation scale deposits will build up inside the boiler. To obtain optimum performance from the still, the scale should be removed on a regular basis.

The time span between cleaning depends greatly on the hardness of the water supply and the amount of use. Frequently used stills in hard water areas may need descaling once a week whereas in a soft water area several weeks may elapse before descaling is necessary.

Note: Heavy scaling will reduce distilled water quality and can shorten the life of the heating element.

It is possible to descale the Cole-Parmer Water Still without dismantling the glassware by following these instructions in conjunction with Control of Substances Hazardous to Health regulations (COSHH) 1988.

1. Switch off the electricity supply to the still and allow it to cool completely.
2. Turn off the cooling water supply.
3. Open the stopcock on the constant level control and allow the boiler to drain completely, Close stopcock.
4. Turn on the cooling water supply and allow the boiler to fill to approximately half way to its normal operating level. Turn off the water supply.

5. Into the open funnel of the constant level control carefully add about 1 litre of 10% formic acid solution or kettle descaler. Do not use strong acids such as hydrochloric, this can cause severe corrosion of the metal heating element.

WARNING!

ALWAYS HANDLE ACIDS WITH GREAT CARE. PROTECTIVE CLOTHING, GLOVES AND FACE-MASKS SHOULD BE WORN DURING THE DESCALING OPERATION. REMOVE ANY ACID SPILLS IMMEDIATELY.

Turn on the water supply and fill the boiler to the normal operating level. The water will flush the acid into the boiler. The water supply should be turned off when the level in the boiler is slightly below the overflow.

6. Leave the acid in the boiler to desolve the scale. This may take some time depending on the severity of the build-up.
7. Open the stopcock and allow the boiler to drain.

Note: If the acid in the boiler has not been completely neutralised the liquid flowing to drain may be highly acidic. All necessary safety precautions should be observed around the drain and any effluent control procedures followed.

8. Close the stopcock, turn on the water and allow the boiler to fill with cold water. Turn off the water, re-open the stopcock and allow the boiler to drain. Repeat this procedure three times.
9. The Cole-Parmer Water Still may now be restarted by referring to the instructions given under "Operation" in this manual.
Note: The stand and outer surfaces of the glassware should be cleaned using a damp cloth and a mild detergent solution.

List of spare parts

The following components are available from most laboratory suppliers. In case of difficulty, please contact Antylia Scientific.

	Cat. No.
Boiler	W4000/B
Condenser	WC48/M2
Heater (complete with thermostats) 240V	A6/6
(complete with thermostats) 220V	A6/6/EURO
Set of heater fixings (flange, gasket, insert and bolts)	W4000/GK
Hose kit	W4000/HK

Fault finding

In the event of operating difficulties with your Cole-Parmer Still, please consult the following notes.

If these fail to identify and remedy the fault, then you are advised to seek the help of your supplier or the Service Department of Antylia Scientific.

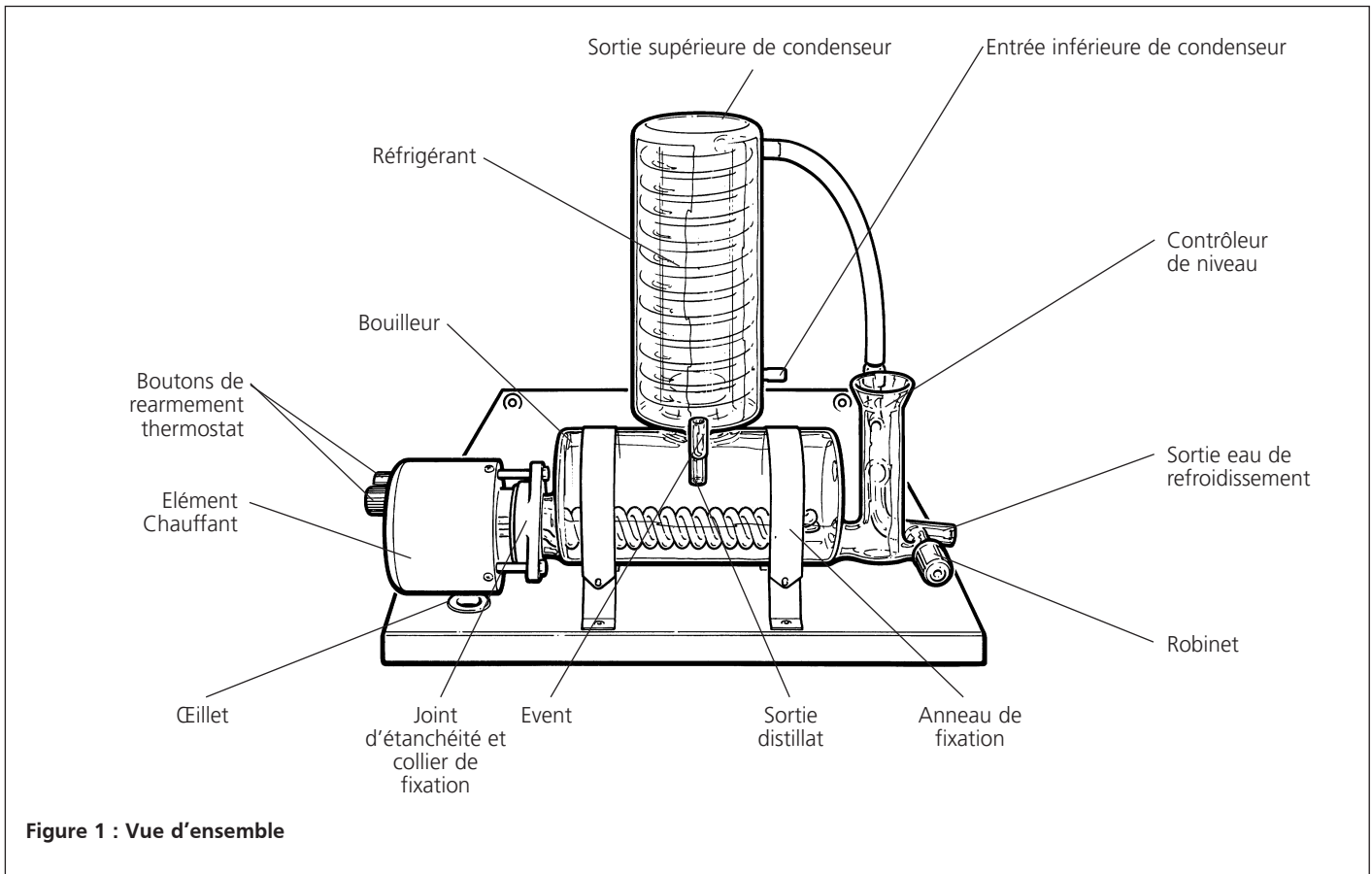
Note – Fault finding should only be carried out by suitably qualified people.

Symptom	Cause	Remedy
1. Water level in boiler is too LOW. e.g. – heater exposed.	<ul style="list-style-type: none"> a) Supply of feed/cooling water is insufficient. b) Stopcock on boiler inadvertently left open. 	<ul style="list-style-type: none"> a) Increase flowrate of water to approx. 60 litres/hour. b) Close stopcock.
2. Water level in boiler is too HIGH. e.g. – boiling water surging into condenser.	<ul style="list-style-type: none"> a) Supply of feed/cooling water is excessive. b) Flow of drainage water is constricted. 	<ul style="list-style-type: none"> a) Reduce flowrate of water to approx. 60 litres/hour. b) Ensure drainage tubing falls freely.
3. Water in boiler is “pumped” out of boiler to drain.	<ul style="list-style-type: none"> a) Tubing from condenser distillate outlet to reservoir is constricted. b) Vent on condenser distillate outlet is blocked. c) Supply of feed/cooling water is insufficient. 	<ul style="list-style-type: none"> a) Ensure tubing falls freely to reservoir without kinks or bends. b) Remove obstruction. c) Increase flowrate of water to approx. 60 litres/hour.
4. Distillate temperature is high, e.g. – above 50°C.	Flow of cooling water is insufficient.	Increase flowrate of water to approx. 60 litres/hour.
5. Distillate rate less than 4 litres/hour.	<ul style="list-style-type: none"> Mains voltage low Excessive cooling water flow. 	<ul style="list-style-type: none"> – Reduce to 60 litres/hour.
6. Distillate quality poor*.	Boiler heavily scaled.	Clean boiler.
7. Heater not working.	<ul style="list-style-type: none"> a) Burnt-out heater. b) Mains electricity fuse blown. c) Thermostat operated. 	<ul style="list-style-type: none"> a) Replace heater. b) Replace fuse. c) Reset.
8. Persistent tripping of the RCD	The integrity of the heater	Replace the RCD

* Distillate quality when determined by pH or electrical conductivity is greatly affected by temperature and the presence of absorbed carbon dioxide.

Distillateur WS-100-4 & WS-100-4-220

Français



Avant l'utilisation

Si l'appareil n'est pas utilisé de la manière décrite ci-après, les sécurités prévues peuvent être défaillantes.

N.B. L'appareil à eau distillée COLE-PARMER est classé parmi les «appareils connectés en permanence» et doit être raccordé par un électricien qualifié comme décrit dans la section «installation électrique» de ce manuel.

Le distillateur COLE-PARMER est prévu pour fonctionner dans les conditions suivantes :

- ❖ Utilisation en intérieur uniquement.
- ❖ Température d'utilisation +5°C à 40°C.
- ❖ Altitude < 2000m.
- ❖ Humidité relative < 80%.
- ❖ Alimentation électrique ne variant pas de $\pm 10\%$ autour de la valeur nominale.
- ❖ Survolage catégorie II IEC60364-4-443.
- ❖ Degré de pollution 2 IEC664.

Installation

Le distillateur Cole-Parmer peut être installé sur une paillasse ou fixé au mur. Choisir un emplacement à proximité des dispositifs suivants:

Alimentation électrique:

Avant de connecter l'appareil, vérifier que l'alimentation électrique est correcte. Modèle WS-100-4 pour alimentation électrique 3kW 220V, 50/60Hz monophasé. Modèle WS-100-4-220 pour alimentation électrique 3kW 220V, 50/60Hz monophasé. Des approvisionnements devraient être équipés d'a 30mA RCD disjoncteur. Les fournitures doivent être munis d'un disjoncteur de circuit RCD 30mA.

Alimentation en eau:

Source d'eau froide capable de fournir un débit minimum de 60 l/hr.

Evacuation:

Dispositif d'évacuation ou évier situé en dessous de l'appareil de façon à ce que le tuyau d'évacuation d'eau ne présente aucun coude.

Réservoir de recette:

Un réservoir de recette du distillat pourra être installé sous l'appareil.

Montage

1. Déballez le distillateur et identifiez les composants suivants:-

Qty	Designation	Référence
1	Support muni de 2 anneaux métalliques de fixation	W4000/S
1	Bouilleur	W4000/B
1	Réfrigérant	WC48/M2
1	Elément chauffant 220V /3kW	A6/6/EURO
1	Jeu de tuyaux	W4000/HK
1	Jeu de colliers de fixation	W4000/GK

2. Installer le support à l'emplacement choisi. 2 trous permettent de le visser au mur si nécessaire.



En cas de montage mural, vous devez vous assurer d'utiliser des fixations murales appropriées pouvant supporter un poids minimum de 28 kg. Demandez conseil à un professionnel en cas de doute.

3. Prendre le bouilleur, l'élément chauffant et le jeu de colliers. Assembler selon la **figure 2**.

- i) Insérez les 3 boulons fournis dans les orifices de la bride métallique et placez-la sur le tube en verre conique du bouilleur en vous assurant que le côté plat de la bride est orienté vers le bouilleur.
 - ii) Insérer le collier en graphite à l'intérieur du collier métallique. Tirer le collier métallique et son insert en graphite vers l'extrémité du bouilleur de façon à ce qu'ils exercent une pression sur le tube évasé.
 - iii) Insérer le joint en caoutchouc par dessus les spires de l'élément chauffant. Introduire l'élément chauffant dans le bouilleur.
 - iv) Fixer l'élément chauffant en vissant les 3 boulons. Ne pas serrer à bloc.
4. Placer le bouilleur et l'élément chauffant sur le support. Le robinet doit alors faire face à l'utilisateur. Faire passer le câble d'alimentation à travers l'orifice situé à la base du support. Fixer le bouilleur avec les 2 anneaux métalliques.
 5. Enfiler le réfrigérant sur le tube vapeur du bouilleur. L'orifice de sortie du distillat doit faire face à l'utilisateur.

Figure 3

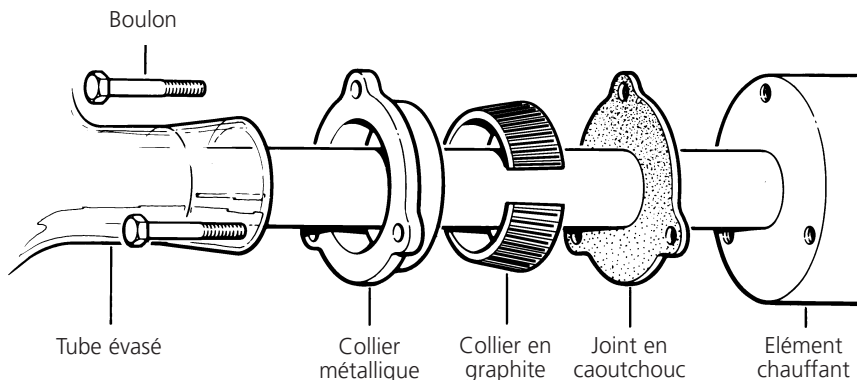
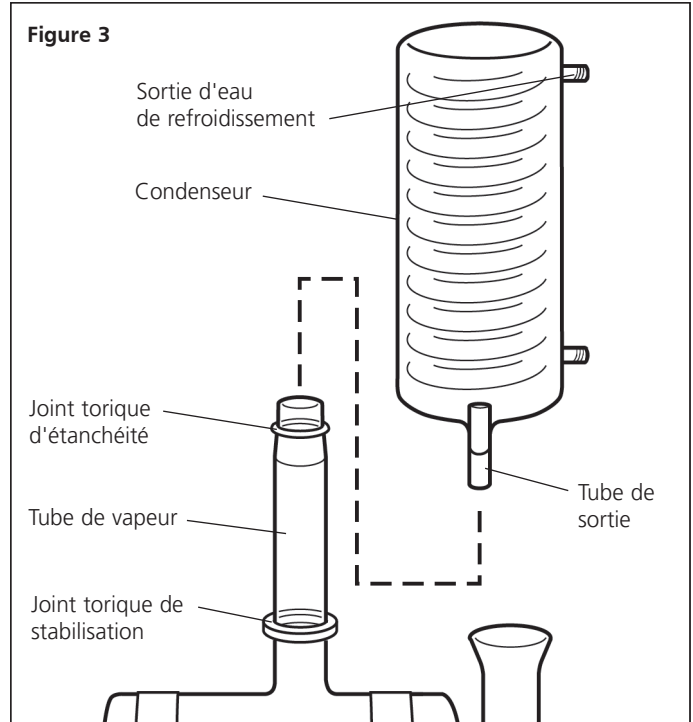


Figure 2

6. Dans le jeu de tuyaux, prendre le tube 225mm de long et 8mm de diamètre équipé de connecteurs à vis à ses 2 extrémités. Visser une extrémité du tuyau sur le raccord à vis supérieur du réfrigérant et l'autre extrémité sur le raccord à vis du contrôleur de niveau (voir **figure 1**).
7. Prendre le tuyau de 1000 mm de long et 16 mm de diamètre. Fixer avec précaution son extrémité en sortie du contrôleur de niveau. Pour faciliter cette opération, passer préalablement l'extrémité du tuyau sous l'eau chaude. Fixer avec un collier.
8. Placer l'extrémité libre du tuyau vers l'évacuation, en s'assurant qu'il ne présente aucun coude pouvant perturber l'écoulement de l'eau.
9. Vérifier que le robinet du contrôleur de niveau est fermé.
10. Visser le connecteur plastique sur le raccord à vis inférieur du réfrigérant. Fixer le tuyau d'alimentation en eau froide sur ce connecteur. Choisir un tuyau de bonne qualité et vérifier que toutes les connexions sont renforcées par un collier.
11. Relier par un tuyau l'orifice de sortie du distillat au réservoir de recette.
12. Ouvrez l'alimentation en eau et testez la présence de fuite puis coupez l'alimentation en eau.

Installation électrique



CET APPAREIL DOIT ETRE RELIE A LA TERRE !

L'installation électrique doit être effectuée par un électricien qualifié.

L'appareil est livré avec un câble de 1,7m (conforme aux spécifications CMA 3183 TQ). Les fils conducteurs, de section 1,5mm² (conformes aux spécifications BS 6360 classe 5) protégés avec de l'EPR. La résistance à la température est de 85°C et de type CSP à HOFR, BS 6500, table 9.

La connexion à l'alimentation électrique doit être un pôle double isolation RCD 30mA disjoncteur avec un courant continu nominal de 15A à 250V et la protection de surintensité de 15A, 250V.

Cet équipement doit se trouver à proximité de l'appareil et être clairement identifier «protection pour distillateur Cole-Parmer».

Raccorder le câble selon les indications suivantes:

Marron - Phase
Bleu - Neutre
Jaune/vert - Terre

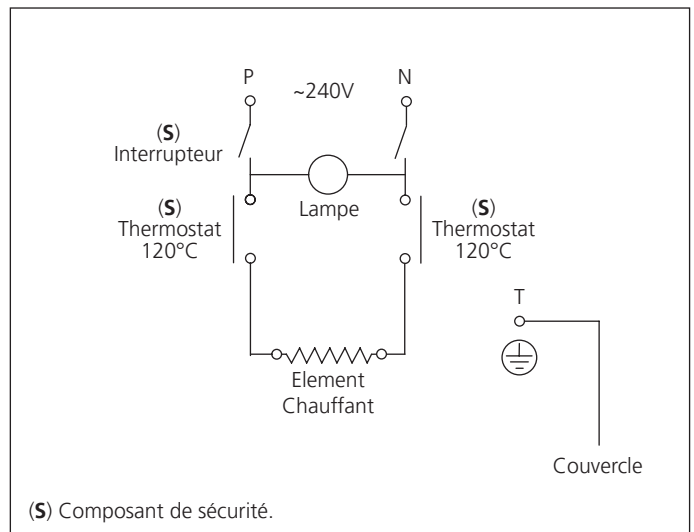
Si le câble d'alimentation nécessite un remplacement, un câble spécial, fournis par Antylia Scientific, doit être utilisé.

Avertissement chaud



Certaines pièces du produit peuvent chauffer à l'utilisation. Elles sont clairement marquées avec des étiquettes d'avertissement « Chaud ». Évitez de toucher ces pièces.

Schema de principe



Mise en route

1. Ouvrir le robinet d'eau froide et régler le débit à 60 litres/heure environ. L'eau doit circuler à travers le réfrigérant. Attendre que le niveau d'eau dans le bouilleur soit stable. Vérifier que l'eau s'écoule normalement vers l'évacuation.
2. Allumer l'interrupteur de l'élément chauffant. Observer l'ébullition et vérifier que le distillat s'écoule normalement vers le réservoir de recette.

ATTENTION !

NE PAS UTILISER CET APPAREIL POUR DISTILLER AUTRE CHOSE QUE DE L'EAU.

Thermostats de sécurité

Le distillateur Cole-Parmer est protégé par deux thermostats de sécurité.



Thermostat de sur-chauffe du bouilleur.

Si le contrôleur de niveau est défectueux et expose l'élément chauffant à une sur-chauffe, le thermostat agit et coupe l'alimentation électrique de la résistance.

Après l'opération d'un des deux thermostats, il suffit de les réarmer en appuyant simplement sur le bouton adéquat situé à gauche de l'élément chauffant.

Retirer le capuchon plastique et appuyer sur le bouton (un léger « clic » doit se produire).



AVANT LE REARMEMENT, IL FAUT ATTENDRE LE REFROIDISSEMENT DE L'APPAREIL, ET LA CAUSE DU DECLENCHEMENT DES THERMOSTATS, IDENTIFIEE ET RECTIFIEE.

Si le thermostat continue de se déclencher, consulter un électricien qualifié ou le service technique de Antylia Scientific.

Entretien et maintenance

Un entretien régulier prolonge la durée de vie de l'appareil et assure son bon fonctionnement.

Pour des raisons de sécurité, l'entretien et la maintenance de l'appareil y compris le nettoyage ou le remplacement de composants doivent être effectués par des personnes qualifiées.

IMPORTANT:

Débrancher l'appareil avant toute opération d'entretien ou de maintenance.

Nettoyage

Après un certain temps de fonctionnement, du tartre peut se déposer à l'intérieur du bouilleur. Afin d'assurer le bon fonctionnement de l'appareil, le tartre devra être éliminé régulièrement.

L'intervalle de temps entre 2 nettoyages dépend de la dureté de l'eau d'alimentation. Dans les régions où l'eau est très dure, il peut s'avérer nécessaire de nettoyer le distillateur toutes les semaines. Dans les régions où l'eau est plus douce, plusieurs semaines peuvent s'écouler entre deux opérations de nettoyage.

Le tartre se dissout parfaitement dans une solution d'acide formique diluée à 10%. Certaines solutions de détartrage à usage domestique peuvent également être utilisées.

ATTENTION !

Il faut toujours manipuler les acides avec prudence. Des vêtements de protection, des gants et des masques faciaux devront être utilisés lors des opérations de nettoyage.

1. Eteindre l'interrupteur de l'élément chauffant, débrancher l'alimentation électrique et laisser refroidir l'eau dans le bouilleur.
2. Fermer le robinet d'alimentation d'eau.
3. Ouvrir le robinet du contrôleur de niveau pour vidanger le bouilleur. Fermer le robinet.
4. Par l'entonnoir du contrôleur de niveau, verser environ 1 litre d'une solution d'acide formique diluée à 10%.

Remplir le bouilleur jusqu' au niveau de fonctionnement, afin d'éviter que la solution acide ne se déverse à l'égout par le tuyau d'évacuation.

5. Laisser agir l'acide qui doit dissoudre les dépôts de tartre. Le temps nécessaire dépend du degré d'entartrage.
6. Ouvrir le robinet afin de vidanger complètement le bouilleur.

ATTENTION !

Si la solution de détartrage n'a pas été complètement neutralisée, l'eau de vidange peut s'avérer être fortement acide. Prendre les précautions nécessaires au niveau de l'évacuation.

7. Fermer le robinet et remplir le bouilleur d'eau froide. Vidanger le bouilleur en ouvrant le robinet. Répéter 2 à 3 fois cette opération de rinçage.
8. Recommencer à distiller l'eau, une fois le bouilleur rempli.

Le distillat obtenu pendant les dix premières minutes qui suivent une opération de rinçage ne devra pas être utilisé.

Il est important de nettoyer régulièrement l'appareil.

Liste des pièces détachées

Les pièces détachées suivantes sont disponibles auprès de votre revendeur.

	Référence
Bouilleur	7.754.21
Réfrigérant	7.753.61
Élément chauffant complet avec thermostat	7.754.22
Thermostat	7.754.23
Jeu de colliers de fixation de l'élément chauffant (collier métallique, joint caoutchouc insert graphite et boulons)	7.754.24

Incidents de fonctionnement

En cas d'incidents de fonctionnement, consulter le tableau ci-dessous.

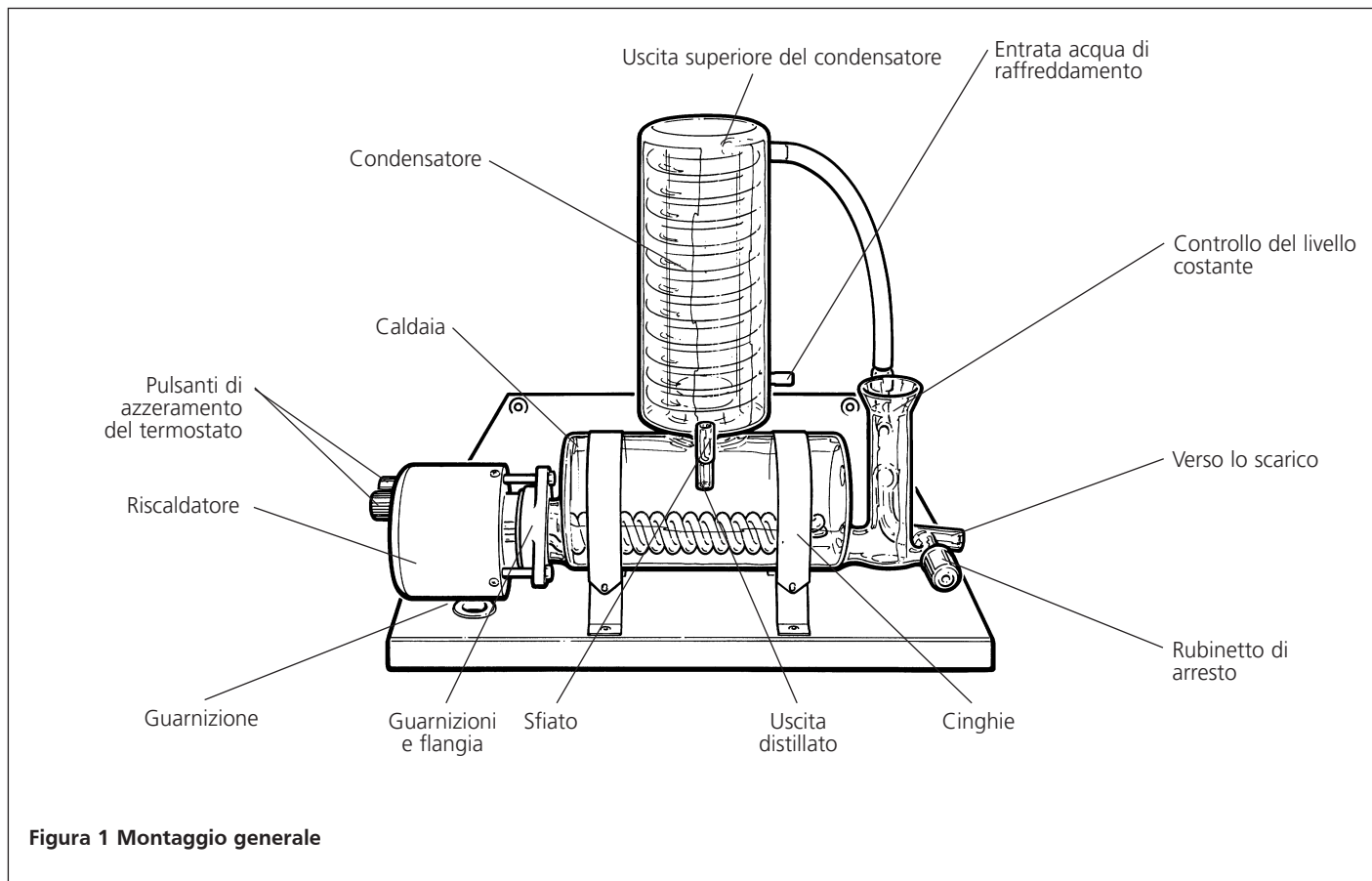
Dans le cas où ces informations ne permettraient pas d'identifier et de résoudre le problème constaté, consulter votre fournisseur ou les services techniques de Antylia Scientific.

Nature de l'Incident	Cause	Solution
<p>1. Le niveau d'eau dans le bouilleur est trop bas. ex: l'élément chauffant n'est plus immergé.</p>	<p>a) Alimentation en eau insuffisante b) Robinet du contrôleur de niveau ouvert.</p>	<p>a) Augmenter le débit jusqu' à 60 litres/heure environ. b) Fermer le robinet.</p>
<p>2. Le niveau d'eau dans le bouilleur est trop haut. ex: l'eau bouillante monte vers le réfrigérant.</p>	<p>a) Alimentation en eau excessive. b) L'évacuation de l'eau se fait mal.</p>	<p>a) Reduire le débit jusqu' à 60 litres/heure environ. b) Vérifier que le tuyau d'évacuation ne présente aucun coude.</p>
<p>3. L'eau en ébullition s'écoule du bouilleur vers l'évacuation.</p>	<p>a) L'évacuation du distillat vers le réservoir se fait mal. b) L'évent sur le réfrigérant est obstrué. c) Alimentation en eau insuffisante.</p>	<p>a) Vérifier que le tube reliant l'orifice d'évacuation du distillat au réservoir ne présente aucun coude. b) Déboucher l'évent. c) Augmenter le débit jusqu' à 60 litres/heure environ.</p>
<p>4. La température du distillat est élevée (supérieure à 50°C).</p>	<p>Débit d'eau de refoissement insuffisant.</p>	<p>Augmenter le débit jusqu' à 60 litres/heure environ.</p>
<p>5. Débit du distillat inférieur à 4 litres/heure.</p>	<p>Alimentation électrique inférieure à 220 volts.</p>	
<p>6. Mauvaise qualité du distillat.*</p>	<p>Bouilleur entartré.</p>	<p>Nettoyer le bouilleur.</p>
<p>7. L'élément chauffant ne marche pas.</p>	<p>a) Élément chauffant défectueux. b) Thermostats défectueux. c) Fusible de la prise.</p>	<p>a) Remplacer l'élément chauffant. b) Remplacer le thermostat c) Remplacer le fusible.</p>
<p>Déclenchement persistant du RCD</p>	<p>Intégrité du thermoplongeur</p>	<p>Remplacez le RCD</p>

* Lorsque la qualité du distillat est contrôlée par des mesures de PH ou de conductivité, les valeurs mesurées sont dépendantes de la température et de la présence d'oxyde de carbone en solution.

Cole-Parmer Water Still WS-100-4 e WS-100-4-220

Italiano



Prima dell'uso

Qualora il dispositivo non venga utilizzato nel modo descritto nel presente manuale, la protezione fornita dal dispositivo stesso può risultarne pregiudicata.

N.B. Il Cole-Parmer Water Still è classificato come "Apparecchiatura a collegamento permanente" e deve essere collegata all'alimentazione elettrica da un elettricista qualificato nel modo descritto nella sezione di installazione elettrica del presente manuale.

Il Cole-Parmer Water Still è stato progettato per funzionare nelle seguenti condizioni:

- ❖ Da utilizzarsi esclusivamente in ambienti chiusi
- ❖ Temperatura ambiente compresa tra +5°C e +40°C
- ❖ Altitudine fino a 2.000 m
- ❖ Umidità relativa non superiore all'80%
- ❖ Fluttuazioni della tensione di alimentazione di rete non superiori a $\pm 10\%$ della potenza nominale
- ❖ Categoria di sovratensione II CEI60364-4-443
- ❖ Grado di inquinamento 2 CEI664.

Posizione

Il Cole-Parmer Water Still può essere montato a parete o su banco. Scegliere una posizione comoda con accesso alle seguenti utenze:-

Alimentazione elettrica

Prima di effettuare il collegamento, assicurarsi dell'idoneità dell'alimentazione di linea. Il Cole-Parmer Water Still WS-100-4 è adatto ad alimentazioni di potenza nominale di 3kW, 220-240V, 50/60Hz~ monofase. WS-100-4-220 è adatto ad alimentazioni di potenza nominale di 3kW, 200-240V, 50/60Hz~ monofase. Forniture dovrebbero essere dotati di un interruttore differenziale 30mA circuito disgiuntore.

Alimentazione dell'acqua

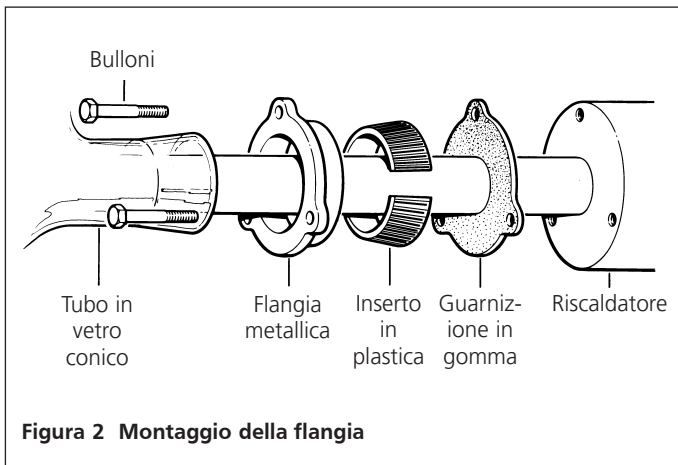
Alimentazione dell'acqua fredda in grado di fornire una portata minima di 60 l/ora.

Scarico

Scarico dell'acqua usata posto sotto il livello dello Still in modo che il tubo di scarico cada lontano senza attorcigliarsi o piegarsi, in modo da consentire un flusso uniforme e senza strozzature.

Serbatoio

Sotto lo Still occorre posizionare un serbatoio di raccolta del distillato.



Montaggio

1. Disimballare il Water Still ed individuare i seguenti componenti:-

Q.tà	Componente	N. catalogo
1	Cavalletto di supporto con 2 cinghie per la caldaia	W4000/S
1	Caldaia	W4000/B
1	Condensatore	WC48/M2
1	Riscaldatore	A6/6 (240V)
	oppure	A6/6/EURO (220V)
1	Kit tubo flessibile	W4000/HK
1	Kit guarnizioni	W4000/GK

2. Prendere il cavalletto di supporto e collocarlo nella posizione desiderata. Notare che vi sono due fori per viti per il montaggio a parete.



Se procedete con il montaggio al muro, assicuratevi di usare appropriati fissanti che possono sostenere un peso minimo di 28 Kg. Se avete qualche dubbio, affidatevi ai consigli di un esperto.

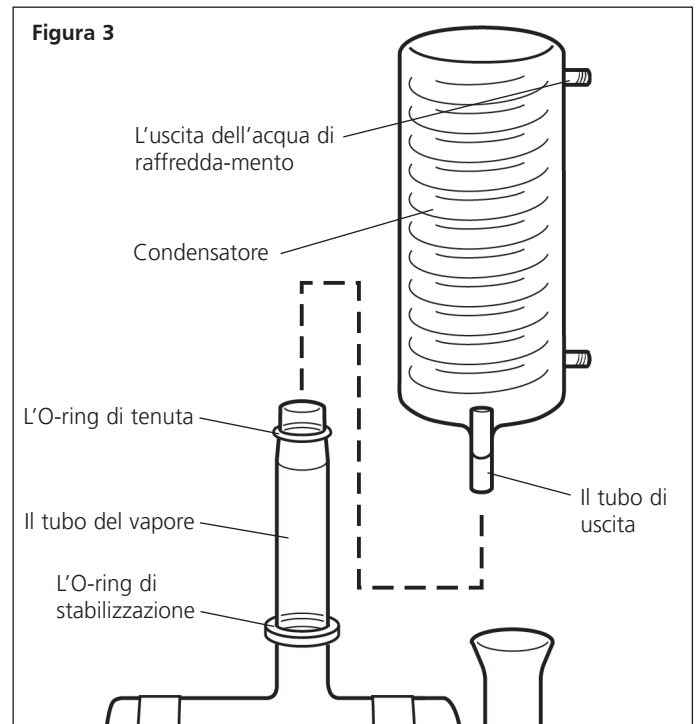
3. Prendere la caldaia W4000/B, il riscaldatore ed il kit guarnizione W4000/GK. Montare il riscaldatore nella caldaia come illustrato nella Figura 2.

- i) Inserire i 3 bulloni forniti nei fori nella flangia di metallo e posizionare la flangia di metallo sul tubo di vetro affusolato

della caldaia, facendo in modo che il lato piatto della flangia sia rivolto verso la caldaia.

- ii) Prendere l'inserto in plastica e collocarlo attorno al tubo in vetro e nella flangia metallica. Tirare la flangia e l'inserto verso l'estremità del tubo in vetro in modo che premano sul vetro.
- iii) Collocare la guarnizione in gomma sopra le bobine del riscaldatore e poi inserire l'elemento riscaldatore attraverso il tubo in vetro conico e nella caldaia.
- iv) A questo punto, fissare il riscaldatore usando i tre bulloni forniti. Non serrare eccessivamente.

4. Collocare il gruppo caldaia e riscaldatore nel 'supporto' del cavalletto. Assicurarsi che il rubinetto di arresto sulla caldaia sia rivolto verso la parte anteriore. Alimentare il cavo elettrico del riscaldatore attraverso il foro posto nella base del cavalletto di supporto. Fissare con le due cinghie fornite.
5. Assicurarsi che l'O-ring di tenuta e l'O-ring ring di stabilizzazione siano correttamente posizionati, così come illustrato in Figura 3. Montare il condensatore WC48/M2 sul tubo del vapore della caldaia. Assicurarsi che il tubo di uscita del distillato del



condensatore sia rivolto verso le parti anteriore e di raffreddamento parallele all'unità.

6. Dal kit del flessibile prendere il flessibile in plastica con foro da 8 mm. di 225 mm. di lunghezza montato con i connettori a filetti alle estremità. Con riferimento alla Figura 1, avvitare un'estremità del tubo flessibile all'uscita superiore del condensatore e l'altra al filetto in vetro sul controllo del livello costante. Se lo Still è stato montato nel modo corretto, il flessibile deve estendersi agevolmente e senza sollecitazioni.
7. Prendere il tubo flessibile in plastica con foro da 16 mm. di 1000 mm. di lunghezza e collegarlo con cautela all'uscita del controllo di livello costante. Per un collegamento più agevole, scaldare prima il tubo flessibile in acqua calda.
- Fissare con una fascetta.
8. Portare l'estremità libera della tubatura allo scarico, assicurandosi che cada lontano dallo Still senza attorcigliarsi o piegarsi, in modo da consentire un flusso uniforme dell'acqua.
9. Assicurarsi che il rubinetto di arresto sul controllo costante di livello sia chiuso.

- Collegare l'entrata inferiore del condensatore dell'alimentazione dell'acqua fredda. Per un fissaggio agevole al condensatore, si fornisce un connettore a filetto in plastica.

Scegliere tubature di buona qualità ed assicurarsi che tutti i raccordi siano fissati con fascette stringitubo.

Assicurarsi dell'assenza di sollecitazioni sul connettore o sul flessibile.

- Collegare l'uscita del distillato sul condensatore ad un serbatoio di raccolta idoneo.
- Attivare la condotta di acqua e verificare che non vi siano perdite, quindi chiudere la condotta dell'acqua.

Installazione elettrica



IL DISPOSITIVO DEVE ESSERE COLLEGATO A TERRA!

L'installazione elettrica deve essere realizzata esclusivamente da un elettricista qualificato.

L'apparecchiatura viene fornita con un cavo circolare a triplo nucleo flessibile da 1,7 m. secondo specifiche CMA 3183 TQ. I conduttori sono da 1,5 mm² secondo BS 6360 Classe 5 isolati con E.P.R. IL rivestimento esterno è resistente ad 85°C tipo C.S.P. secondo HOFER, BS 6500 Tabella 9.

Il collegamento alla rete di alimentazione elettrica, deve essere tramite un interruttore bipolare 30mA isolamento RCD circuito con una continua capacità di trasporto di corrente di 15A a 250V e protezione contro le sovracorrenti di 15A, 250V.

Questi dispositivi devono essere posizionati vicino all'apparecchiatura e chiaramente contrassegnati - "Dispositivo di scollegamento per Cole-Parmer Water Still"

Collegare l'alimentazione di linea notando come i cavi nel connettore dello strumento siano codificati secondo il colore:-

Marrone	- Sotto tensione
Blu	- Neutro
Giallo/Verde	- Terra

Sostituzione del cavo di rete

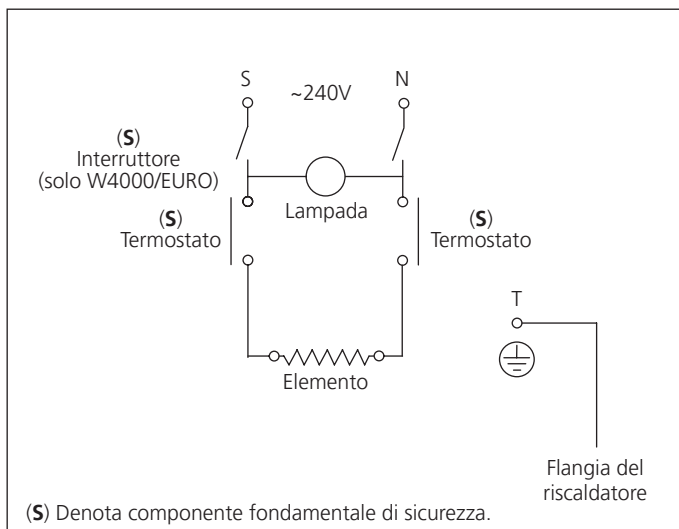
Nel caso in cui occorra sostituire il cavo di rete, occorre usare esclusivamente cavi di rete di ricambio preparati ad hoc da Antylia Scientific.

Avvertimento caldo



Alcune parti del prodotto possono riscaldarsi durante l'uso e sono contrassegnate in modo chiaro con etichette di avviso di elementi caldi. Non toccare queste parti.

Diagramma del circuito



Funzionamento

- Accendere l'alimentazione dell'acqua fredda e regolare il flusso su circa. 60 l/ora.

Nota: si consiglia vivamente di misurare la portata; la mancata osservanza di tale norma potrebbe dare luogo a infortuni causati dall'acqua calda in uscita dallo Still. In caso di indisponibilità di un flussometro, è possibile realizzare una semplice misurazione usando un beaker da 1L. Occorre riempire il beaker completamente per cinque volte nel giro di cinque minuti.

Osservare che l'acqua scorra attraverso il condensatore e nella caldaia. Attendere fino a che la caldaia non abbia raggiunto il corretto livello di funzionamento ed assicurarsi che l'acqua in eccesso scorra liberamente verso lo scarico.

- Accendere l'alimentazione elettrica all'elemento riscaldatore con l'interruttore di isolamento di rete.

Per la versione WS-100-4-220, accendere l'interruttore posto sul riscaldatore.

- Dopo qualche minuto, l'acqua inizierà a bollire ed il distillato emergerà dal condensatore. Con recipienti in vetro nuovi, o dopo la pulizia, si consiglia di lasciarlo scorrere per circa 30 minuti prima di iniziare la raccolta.
- Per spegnere lo Still, prima spegnere l'elemento riscaldatore ma lasciare che l'acqua continui a scorrere per ulteriori 10 minuti in modo che lo Still si raffreddi.

ATTENZIONE!

Non usare questa apparecchiatura per distillare liquidi che non siano acqua.

Interruttori di sicurezza

Il Cole-Parmer Water Still è protetto da due interruttori di sicurezza:

Termostati del riscaldatore della caldaia



Se il livello dell'acqua della caldaia scende e lascia scoperto l'elemento, entreranno in funzione i termostati ed interromperanno l'alimentazione elettrica all'elemento.

Dopo il funzionamento di uno o l'altro dei termostati, è possibile ripristinare il funzionamento normale azzerando i termostati mediante i rispettivi pulsanti di azzeramento montati sul coperchio dell'estremità del riscaldatore.

Togliere il coperchio in plastica nero e poi premere il pulsante: se il termostato era entrato in funzione, si udrà un leggero scatto.



Prima di azzerare uno o l'altro dei termostati, occorre far raffreddare completamente lo Still ed individuare ed eliminare la causa dell'attivazione degli interruttori.

Se i termostati continuano ad entrare in funzione, consultare un elettricista qualificato o il Servizio di assistenza tecnica di Antylia Scientific.

Cura e manutenzione

N.B. Prima di iniziare qualsiasi intervento di manutenzione, pulizia o guasto, occorre isolare l'apparecchiatura dall'alimentazione elettrica di rete. Solo personale qualificato idoneo deve realizzare queste operazioni.

Occorre usare esclusivamente parti di ricambio fornite o approvate da Antylia Scientific o dal suo agente. Il montaggio di parti non approvate potrebbe impattare sulle prestazioni o sulla sicurezza dell'apparecchiatura.

Manutenzione

In ragione della natura di queste parti, occorre controllare periodicamente la qualità dei connettori e dei flessibili in plastica. Essi non devono presentare alcun segno di sollecitazione. Sia i flessibili che i connettori devono essere intatti e privi di criccate. Nel caso in cui si rilevino eventuali danni a queste parti, occorre spegnere immediatamente lo Still, così come spiegato nella sezione "Funzionamento" del presente manuale, e non tornare a utilizzarlo se non dopo aver sostituito queste parti. Per i codici d'ordine, consultare la sezione "Lista delle parti di ricambio" del presente manuale.

Pulizia

Durante un certo periodo di funzionamento, all'interno della caldaia si depositeranno accumuli di incrostazioni. Per ottenere le prestazioni ottimali dallo Still, occorre eliminare regolarmente le incrostazioni.

L'intervallo di tempo tra le pulizie dipende molto dalla durezza dell'acqua e dall'uso. Le apparecchiature che sono usate frequentemente e con acqua dura potrebbero necessitare di una pulizia settimanale, mentre per quelle che usano acqua dolce potrebbe essere sufficiente una pulizia ogni qualche settimana.

Nota: le incrostazioni pesanti riducono la qualità dell'acqua distillata e possono diminuire la durata dell'elemento riscaldatore.

È possibile eliminare le incrostazioni dal Cole-Parmer Water Still senza dover smontare il recipiente in vetro seguendo queste istruzioni insieme con le normative sul Controllo delle sostanze pericolose per la salute (Control of Substances Hazardous to Health- COSHH) 1988.

1. Disinserire l'alimentazione elettrica allo Still e lasciarlo raffreddare completamente.
2. Spegner l'alimentazione dell'acqua di raffreddamento.
3. Aprire il rubinetto di arresto sul controllo di livello costante e far scaricare completamente la caldaia, poi chiudere il rubinetto di arresto.
4. Accendere l'alimentazione dell'acqua di raffreddamento e riempire la caldaia fino a circa la metà del suo livello di funzionamento normale. Spegner l'alimentazione dell'acqua.
5. Aggiungere delicatamente 1 litro di 10% soluzione di acido formico o di anticalcare per pentolini nell'imbuto aperto del controllo di livello costante. Non usare acidi forti come l'acido cloridrico, in quanto potrebbe provocare una grave corrosione dell'elemento di riscaldamento metallico.

ATTENZIONE!

MANEGGIARE SEMPRE GLI ACIDI CON GRANDE ATTENZIONE. DURANTE LE OPERAZIONI DI ELIMINAZIONE DELLE INCROSTAZIONI, OCCORRE INDOSSARE ABBIGLIAMENTO PROTETTIVO, GUANTI E MASCHERINA PER IL VOLTO. ELIMINARE IMMEDIATAMENTE EVENTUALI PERDITE DI ACIDO.

Accendere l'alimentazione dell'acqua e riempire la caldaia fino al livello di funzionamento normale. L'acqua farà scorrere l'acido nella caldaia. Quando il livello nella caldaia è leggermente sotto quello di troppopieno, occorre spegnere l'alimentazione dell'acqua.

6. Lasciare l'acido nella caldaia in modo che sciolga le incrostazioni. Questa operazione potrebbe richiedere un tempo variabile a seconda della quantità di incrostazioni presenti.

7. Aprire il rubinetto di arresto e fare scaricare la caldaia.

Nota: se l'acido nella caldaia non è stato completamente neutralizzato, il liquido che scorre nello scarico potrebbe essere altamente acido. Occorre osservare tutte le precauzioni necessarie attorno allo scarico e seguire tutte le procedure di controllo dell'eventuale effluente.

8. Chiudere il rubinetto di arresto, accendere l'alimentazione dell'acqua e far riempire la caldaia di acqua fredda. Spegner l'alimentazione dell'acqua, aprire nuovamente il rubinetto di arresto e far scaricare la caldaia. Ripetere questa operazione per tre volte.
9. A questo punto, è possibile riavviare il Cole-Parmer Water Still secondo le istruzioni fornite nella sezione "Funzionamento" del presente manuale. **Nota:** il cavalletto e le superfici esterne del recipiente in vetro devono essere puliti usando un panno umido imbevuto in una soluzione detergente delicata.

Lista di parti di ricambio

I seguenti componenti sono disponibili presso la maggior parte dei fornitori di materiale da laboratorio. In caso di difficoltà, contattare Antylia Scientific.

	Cat. N.
Caldaia	W4000/B
Condensatore	WC48/M2
Riscaldatore (completo di termostati) 240V	A6/6
(completo di termostati) 220V	A6/6/EURO
Set di accessori di fissaggio per il riscaldatore (flangia, guarnizione, inserto e bulloni)	W4000/GK
Kit tubo flessibile	W4000/HK

Ricerca guasti

In caso di difficoltà di funzionamento del Cole-Parmer Still, consultare le seguenti note.

Nel caso in cui queste non riescano ad individuare ed eliminare il guasto, si consiglia di chiedere aiuto al proprio rivenditore o al Servizio di assistenza tecnica di Antylia Scientific.

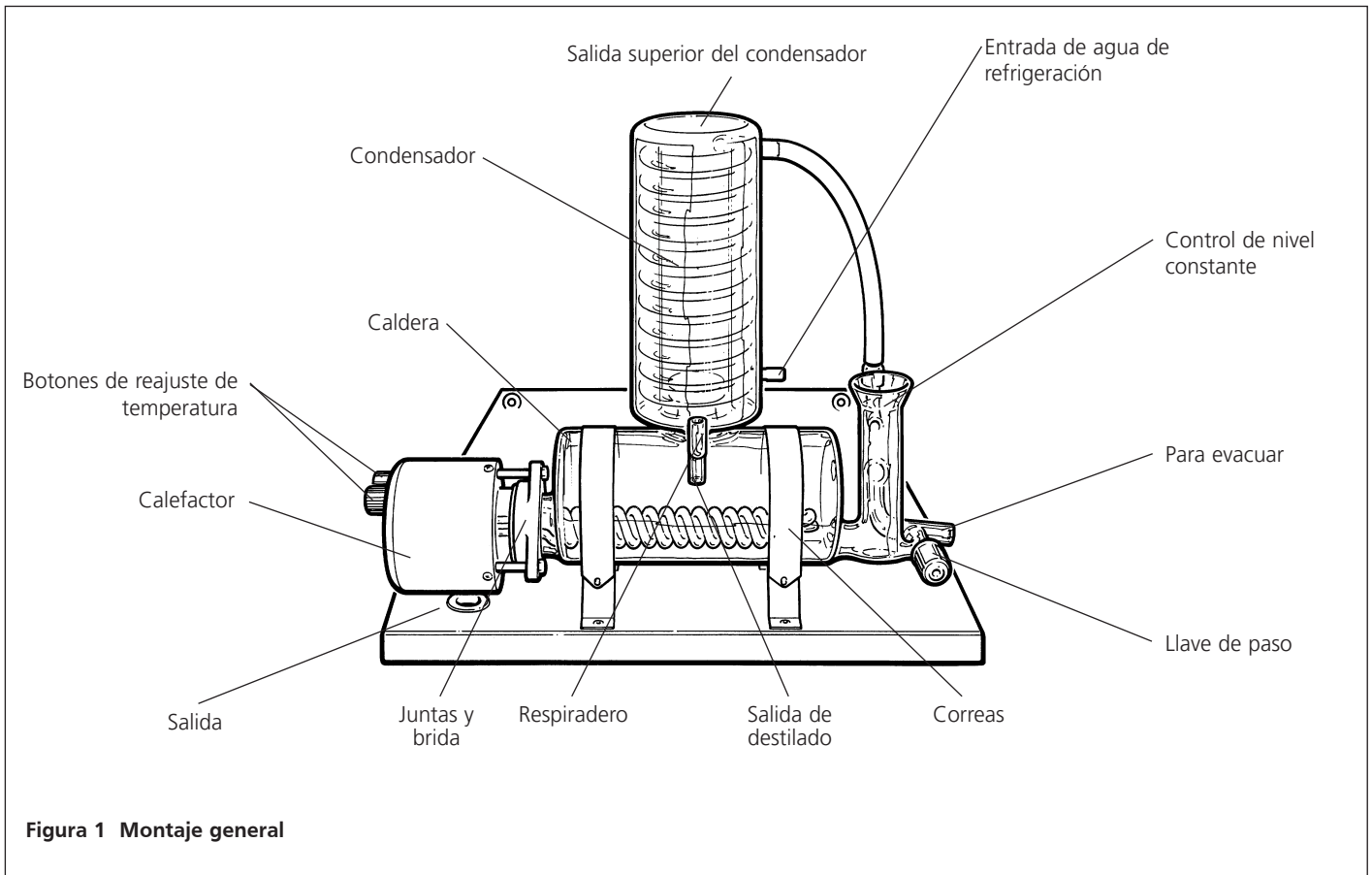
Nota - La ricerca guasti deve essere realizzata esclusivamente da persone idoneamente preparate.

Sintomo	Causa	Rimedio
1. Il livello dell'acqua nella caldaia è troppo BASSO, ad es. riscaldatore in vista.	<ul style="list-style-type: none"> a) Fornire acqua di alimentazione/raffreddamento è insufficiente. b) Rubinetto di arresto sulla caldaia inavvertitamente lasciato aperto. 	<ul style="list-style-type: none"> a) Aumentare la portata dell'acqua a circa 60 litri/ora. b) Chiudere il rubinetto di arresto.
2. Il livello dell'acqua nella caldaia è troppo ALTO, ad es. acqua bollente che si solleva nel condensatore.	<ul style="list-style-type: none"> a) Fornire acqua di alimentazione/raffreddamento è eccessivo. b) Il flusso dell'acqua di scarico si restringe. 	<ul style="list-style-type: none"> a) Ridurre la portata dell'acqua a circa 60 litri/ora. b) Assicurarsi che la tubatura di scarico cada liberamente.
3. L'acqua nella caldaia viene "pompata" fuori dalla caldaia per scaricare.	<ul style="list-style-type: none"> a) La tubatura proveniente dall'uscita del distillato del condensatore al serbatoio è ristretta.. attorcigliarsi o piegarsi. b) Lo sfiato sull'uscita del distillato del condensatore è bloccato. c) Fornire acqua di alimentazione/raffreddamento è insufficiente. 	<ul style="list-style-type: none"> a) Assicurarsi che la tubatura cada liberamente sul serbatoio senza ostruzione. b) Eliminare l'ostruzione. c) Aumentare la portata dell'acqua a circa 60 litri/ora.
4. La temperatura del distillato è alto, ad es. - sopra i 50°C.	Il flusso dell'acqua di raffreddamento è insufficiente. circa 60 litri/ora.	Aumentare la portata dell'acqua a
5. Velocità del distillato inferiore a 4 litri/ora.	<p>Tensione di rete bassa.</p> <p>Flusso dell'acqua di raffreddamento eccessivo.</p>	- Ridurre a 60 litri/ora.
6. Qualità del distillato scadente*.	Caldaia molto incrostata.	Pulire la caldaia.
7. Riscaldatore fuori uso.	<ul style="list-style-type: none"> a) Riscaldatore bruciato. b) Fusibile elettricità di rete bruciato. c) Termostato azionato. 	<ul style="list-style-type: none"> a) Sostituire il riscaldatore. b) Sostituire fusibile. c) Azzerare.
Scatto persistente dell'RCD	L'integrità del riscaldatore	Sostituire l'RCD

*La qualità del distillato quando è stabilita dal pH o dalla conduttività elettrica è molto influenzata dalla temperatura e dalla presenza di anidride carbonica assorbita.

Alambique de agua Cole-Parmer WS-100-4 & WS-100-4-220

Espanõl



Antes del uso

Si el equipo no se utiliza de la forma descrita en este manual, se puede reducir la protección que proporciona el equipo.

N.B. El alambique de agua Cole-Parmer se clasifica como "Equipo conectado permanentemente" y debe conectarse a un suministro eléctrico por un electricista cualificado de la forma descrita en la sección de instalación eléctrica de este manual.

El alambique de agua Cole-Parmer está diseñado para utilizarse para las siguientes condiciones:

- ❖ Sólo para uso el interior
- ❖ Intervalo de temperatura ambiente +5°C a +40°C
- ❖ Altitud hasta 2.000m
- ❖ Humedad relativa no superior a 80%
- ❖ Fluctuación de voltaje del suministro eléctrico no superior a $\pm 10\%$ del voltaje nominal
- ❖ Categoría de sobrevoltaje II IEC60364-4-443
- ❖ Nivel de contaminación 2 IEC664

Colocación

El alambique de agua Cole-Parmer se puede colocar en la pared o en una mesa. Seleccione una ubicación adecuada que tenga acceso a los servicios siguientes:

Suministro eléctrico

Antes de realizar la conexión, asegúrese de que el suministro de red sea adecuado. El alambique de agua Cole-Parmer WS-100-4 se puede utilizar con suministros con un régimen de 3kW, 220-240V, 50/60Hz~ monofásico. WS-100-4-220 es adecuado para suministros con un régimen de 3kW, 200-240V, 50/60Hz~ monofásico. El producto debe ser cabido con a 30mA RCD disyuntor.

Suministro de agua

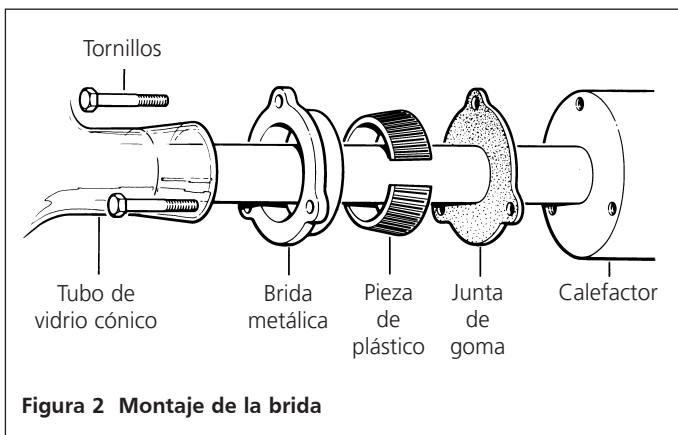
El suministro de agua debe ofrecer un caudal mínimo de 60 litros/hora.

Desagüe

El desagüe de aguas residuales debe situarse debajo del nivel del alambique, de tal forma que el tubo de desagüe caiga sin que tenga dobleces ni pliegues y permita un caudal sin restricciones.

Depósito

Es necesario situar un depósito de recogida de destilado debajo del alambique.



Montaje

1. Desembale el alambique de agua e identifique los siguientes componentes:

Cant.	Componente	Nº catálogo
1	Soporte de apoyo con dos correas de caldera	W4000/S
1	Caldera	W4000/B
1	Condensador	WC48/M2
1	Calefactor	A6/6 (240V) o A6/6/EURO (220V)
1	Kit de tubos	W4000/HK
1	Kit de juntas	W4000/GK

2. Coloque el soporte de apoyo en un lugar adecuado. Los dos orificios roscados están destinados al montaje en pared.



En caso de que lo fije a una pared, debe asegurarse de que utiliza sujeciones adecuadas que puedan soportar un peso mínimo de 28 kg. Si tiene cualquier duda, consulte a un profesional.

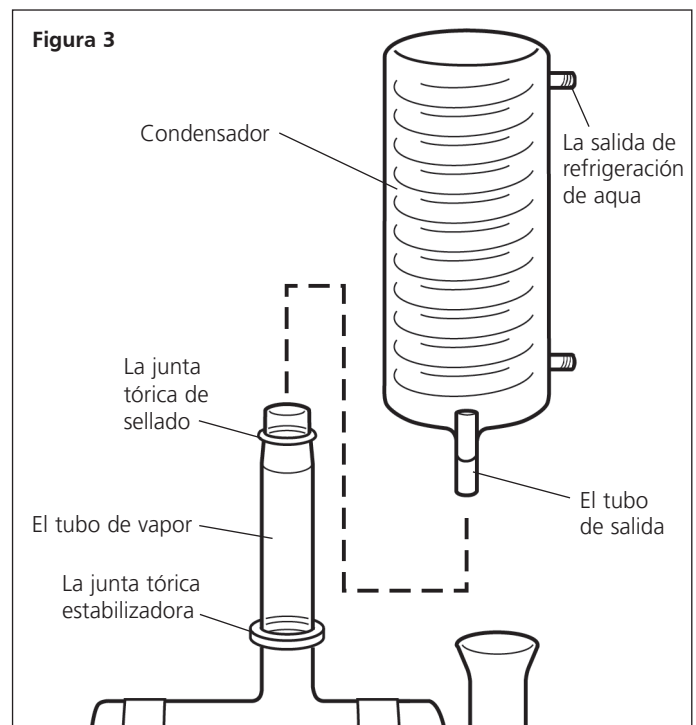
3. Coja la caldera W4000/B, el calefactor y el kit de juntas W4000/GK. Monte el calefactor en la caldera según se muestra en la Figura 2.

- i) Inserte los 3 pernos suministrados en los orificios de la brida metálica y sitúe la brida metálica sobre el tubo cónico de vidrio de la caldera, asegurándose de que el lado plano de la brida mire hacia la caldera.

- ii) Coja la pieza de plástico y colóquela alrededor del tubo de vidrio y dentro de la brida metálica. Tire de la brida e insértela hacia el extremo del tubo de vidrio, de tal forma que presione sobre el vidrio.
- iii) Coloque la junta de goma sobre las bobinas del calefactor y luego inserte el elemento calefactor a través del tubo de cristal y dentro de la caldera.
- iv) Fije el calefactor con los 3 tornillos suministrados. No los apriete demasiado.

4. Coloque la caldera y la unidad del calefactor en el bastidor del soporte. Asegúrese de que la llave de paso de la caldera está orientada hacia la parte delantera. Pase el cable eléctrico del calefactor por el orificio situado en la base del soporte de apoyo. Fíjelo con las 2 correas suministradas.

5. Asegúrese de que la junta tórica de sellado y la junta tórica estabilizadora estén correctamente colocadas, según se muestra en la Figura 3. Monte el condensador WC48/M2 montándolo en el tubo de vapor de la caldera. Asegúrese de que tubo de salida de destilado del condensador está orientado hacia la parte delantera y que la salida de refrigeración esté paralela a la unidad.



6. En el kit de tubos, coja el tubo de plástico de 225 mm de longitud y 8 mm de diámetro que tiene las uniones roscadas en los dos extremos. Según la Figura 1, rosque un extremo del tubo en la salida superior del condensador, y el otro extremo en la rosca de vidrio del control de nivel constante. Si el alambique está montado correctamente, el tubo debe llegar cómodamente, sin tensiones.

7. Coja el tubo de plástico de 1000 mm de longitud y 16 mm de diámetro y conéctelo con cuidado a la salida del control de nivel constante. Para facilitar la conexión, caliente el tubo con agua caliente. Fije con una correa de unión.

8. Pase el extremo libre del tubo al desagüe, y asegúrese de que cae del alambique sin dobleces ni pliegues que dificulten el caudal de agua.

9. Asegúrese de que la llave de paso del control de nivel constante está cerrada.
10. Conecte la entrada inferior del condensador hasta el suministro de entrada de agua fría. Se suministra un conector roscado de plástico para facilitar la conexión al condensador.
Asegúrese de que no haya tensión en el conector o el tubo.
Seleccione tubos de buena calidad y asegúrese de que todas las conexiones están fijadas con abrazaderas de tubos.
11. Conecte la salida de destilado del condensador a un depósito de recogida adecuado.
12. Active el suministro de agua y compruebe que no haya fugas; a continuación, desactive el suministro de agua.0

Instalación eléctrica



EL EQUIPO DEBE CONECTARSE A TIERRA.

La instalación eléctrica sólo debe realizarse por un electricista capacitado.

El equipo se suministra con un cable circular flexible de triple núcleo de 1,7 m en conformidad con las especificaciones CMA 3183 TQ. Los conductores son de 1,5mm² con aislamiento E.P.R, en conformidad con las especificaciones BS 6360 Clase 5. La funda exterior es de tipo C.S.P resistente a una temperatura de 85°C. en conformidad con las especificaciones HOFER, BS 6500 Tabla 9.

La conexión a la red de alimentación eléctrica, debe ser a través de un 30mA bipolar aislamiento RCD interruptor de circuito con una capacidad de corriente continua de 15A a 250V y protección contra la sobretensión de 15A, 250V. Estos dispositivos deben montarse cerca del equipo, y deben tener la marca - "Dispositivo de desconexión para el alambique de agua Cole-Parmer"

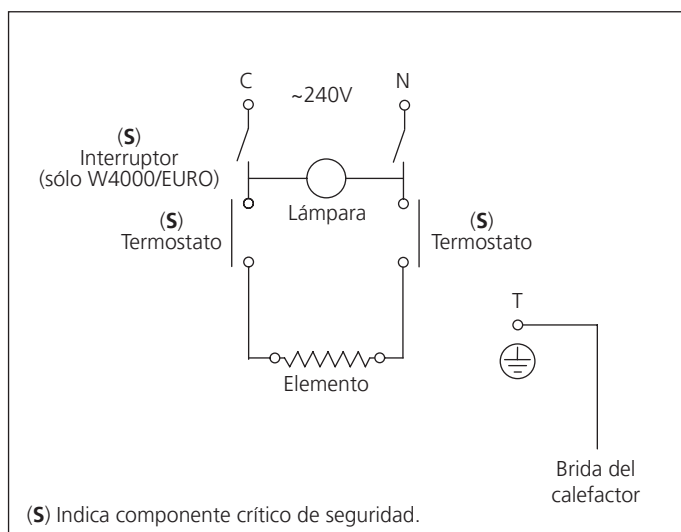
Conecte el equipo al suministro de red y asegúrese de que los hilos del cable del instrumento están identificados según los siguientes colores:

Marrón	- Corriente
Azul	- Neutro
Amarillo/Verde	- Toma de tierra

Sustitución del cable de alimentación

Si es necesario sustituir el cable de alimentación, sólo debe utilizarse el cable de alimentación de recambio especialmente preparado que suministra Antylia Scientific.

Diagrama de circuitos



Alcune parti del prodotto possono riscaldarsi durante l'uso e sono contrassegnate in modo chiaro con etichette di avviso di elementi caldi. Non toccare queste parti.

Funcionamiento

1. Abra el suministro de agua fría y ajuste el caudal a unos 60 l/h.

N.B.: Se recomienda encarecidamente medir el caudal; de lo contrario, el agua caliente que sale del alambique podría producir lesiones. Si no hay disponible un alambique de agua, se puede realizar una medida sencilla con un recipiente de 1 litro. El recipiente se debe llenar completamente cinco veces durante un período de 5 minutos.

Verifique que el agua circula a través del condensador hasta el interior de la caldera. Espere hasta que la caldera haya alcanzado su nivel operativo correcto y asegúrese de que el exceso de agua se vacía libremente.

2. Encienda el interruptor de corriente para conectar suministro eléctrico en el elemento calefactor.
Para la versión WS-100-4-220, encienda el interruptor situado en el calefactor.
3. Tras unos minutos, el agua empezará a hervir y el destilado saldrá del condensador. Con cristalería nueva o después de la limpieza, se recomienda dejar que purge durante unos 30 minutos antes de iniciar la recogida.
4. Para desconectar el alambique, primero apague el elemento calefactor pero deje circular el agua de refrigeración durante otros 10 minutos para que se enfríe el alambique.

ADVERTENCIA:

No utilice este equipo para destilar otro líquido que no sea agua.

Disyuntores de seguridad

El alambique de agua Cole-Parmer está protegido mediante dos disyuntores de seguridad:

Termostatos del calefactor de la caldera



Si el nivel del agua de la caldera disminuye y deja al descubierto el elemento, se activarán los termostatos y desconectarán el suministro eléctrico al elemento.

Después de que actúe uno de los termostatos, el funcionamiento normal se puede reanudar reajustando los termostatos mediante sus botones de reajuste correspondientes situados en el extremo de la cubierta del calefactor.

Extraiga la cubierta de plástico negra y luego presione el botón. Se oirá un ligero 'clik' si se ha accionado el termostato.



Antes de reajustar el termostato, se debe dejar enfriar por completo el alambique, e identificar y solucionar la causa del accionamiento del disyuntor.

Si los termostatos siguen actuando, póngase en contacto con un electricista cualificado o con el Departamento de Servicio Técnico de Antylia Scientific.

Cuidados y mantenimiento

N.B. Antes de realizar una tarea de mantenimiento, limpieza o búsqueda de fallos, se debe desconectar el equipo del suministro eléctrico. Estas operaciones se deben realizar únicamente por personal debidamente cualificado.

Sólo se deben utilizar piezas de recambio suministradas o autorizadas por Antylia Scientific o su agente. La instalación de piezas no autorizadas puede afectar al rendimiento o a la seguridad del equipo.

Mantenimiento

Debido a la naturaleza de estas piezas, es necesario comprobar periódicamente la calidad de los conectores y los tubos de plástico. No deben existir tensiones en los conectores ni en los tubos, y no deben presentar grietas. Si se observan daños en estas piezas, se debe desconectar inmediatamente el alambique, según se indica en la sección "Funcionamiento" de este manual, y no se debe utilizar hasta que se sustituyan estas piezas. Consulte la "Lista de piezas de recambio" en este manual para los códigos de pedido.

Limpieza

Tras un período de funcionamiento, se depositarán incrustaciones en el interior de la caldera. Para obtener un rendimiento óptimo del alambique, se deberá eliminar las incrustaciones a intervalos regulares.

El intervalo de tiempo entre la limpieza depende en gran medida de la dureza del agua y de la cantidad de agua utilizada. Es posible que los alambiques que se utilicen con frecuencia en áreas de aguas duras deban desincrustarse una vez a la semana, mientras que, en un área con aguas blandas, pueden transcurrir varias semanas hasta que sea necesario realizar una desincrustación.

N.B. Las incrustaciones fuertes reducirán la calidad del agua destilada disminuirán la vida útil del elemento calefactor.

Es posible desincrustar el alambique de agua Cole-Parmer sin desmontar la cristalería. Para ello, siga las siguientes instrucciones en conformidad con la normativa de Control de sustancias peligrosas para la salud (COSHH)?1988.

1. Apague el suministro eléctrico del alambique y déjelo enfriar totalmente.
2. Cierre el suministro de agua de refrigeración.
3. Abra la llave de paso del control de nivel constante y deje que se vacíe totalmente la caldera. Cierre la llave de paso.
4. Abra el suministro de agua de refrigeración y deje que se llene la caldera hasta la mitad aproximadamente de su nivel de funcionamiento normal. Cierre el suministro de agua.
5. En el embudo abierto del control de nivel constante, añada con cuidado 1 litro de solución de ácido fórmico al 10% o desincrustador para calderas.
No utilice ácidos fuertes como ácido hidrocórico, ya que pueden producir una corrosión fuerte en el elemento calefactor de metal.

ADVERTENCIA:

MANIPULE SIEMPRE LOS ÁCIDOS CON CUIDADO EXTREMO. ES NECESARIO LLEVAR ROPA DE PROTECCIÓN, GUANTES Y MÁSCARAS DURANTE EL PROCEDIMIENTO DE DESINCRUSTACIÓN. LIMPIE INMEDIATAMENTE EL ÁCIDO DERRAMADO.

Abra el suministro de agua y llene la caldera hasta su nivel de funcionamiento normal. El agua hará pasar el ácido a la caldera. El suministro de agua se debe cerrar cuando el nivel de la caldera esté ligeramente por debajo del desbordamiento.

6. Deje el ácido en la caldera para disolver las incrustaciones. Es posible que tarde en disolverlas según el grado de incrustación.

7. Abra la llave de paso y deje que se vacíe la caldera.

Nota: Si el ácido de la caldera no se ha neutralizado completamente, el líquido vaciado puede ser muy ácido. Es necesario seguir todas las precauciones de seguridad necesarias en el desagüe, así como todos los procedimientos de control del efluente.

8. Cierre la llave de paso, abra el agua y deje que se llene la caldera con agua fría. Apague el agua, vuelva a abrir la llave de paso y deje que se vacíe la caldera. Repita tres veces este proceso.
9. El alambique de agua Cole-Parmer puede reiniciarse siguiendo las instrucciones de la sección "Funcionamiento" de este manual.
Nota: El soporte y las superficies exteriores de la cristalería se deben limpiar con un paño húmedo y una solución detergente suave.

Lista de piezas de recambio

Los siguientes componentes pueden obtenerse de la mayoría de proveedores de laboratorio. En caso de dificultades de obtención, póngase en contacto con Antylia Scientific.

	Nº cat.
Caldera	W4000/B
Condensador	WC48/M2
Calefactor (con termostatos) 240V	A6/6
(con termostatos) 220V	A6/6/EURO
Juego de piezas del calefactor (brida, junta, pieza y tornillos)	W4000/GK
1 Kit de tubos	W4000/HK

Localización de fallos

En caso de dificultades de funcionamiento del alambique Cole-Parmer, consulte las notas siguientes. Si estas notas no permiten identificar y solucionar el fallo, debe buscar asistencia de su proveedor o del Departamento de Servicio Técnico de Antylia Scientific.

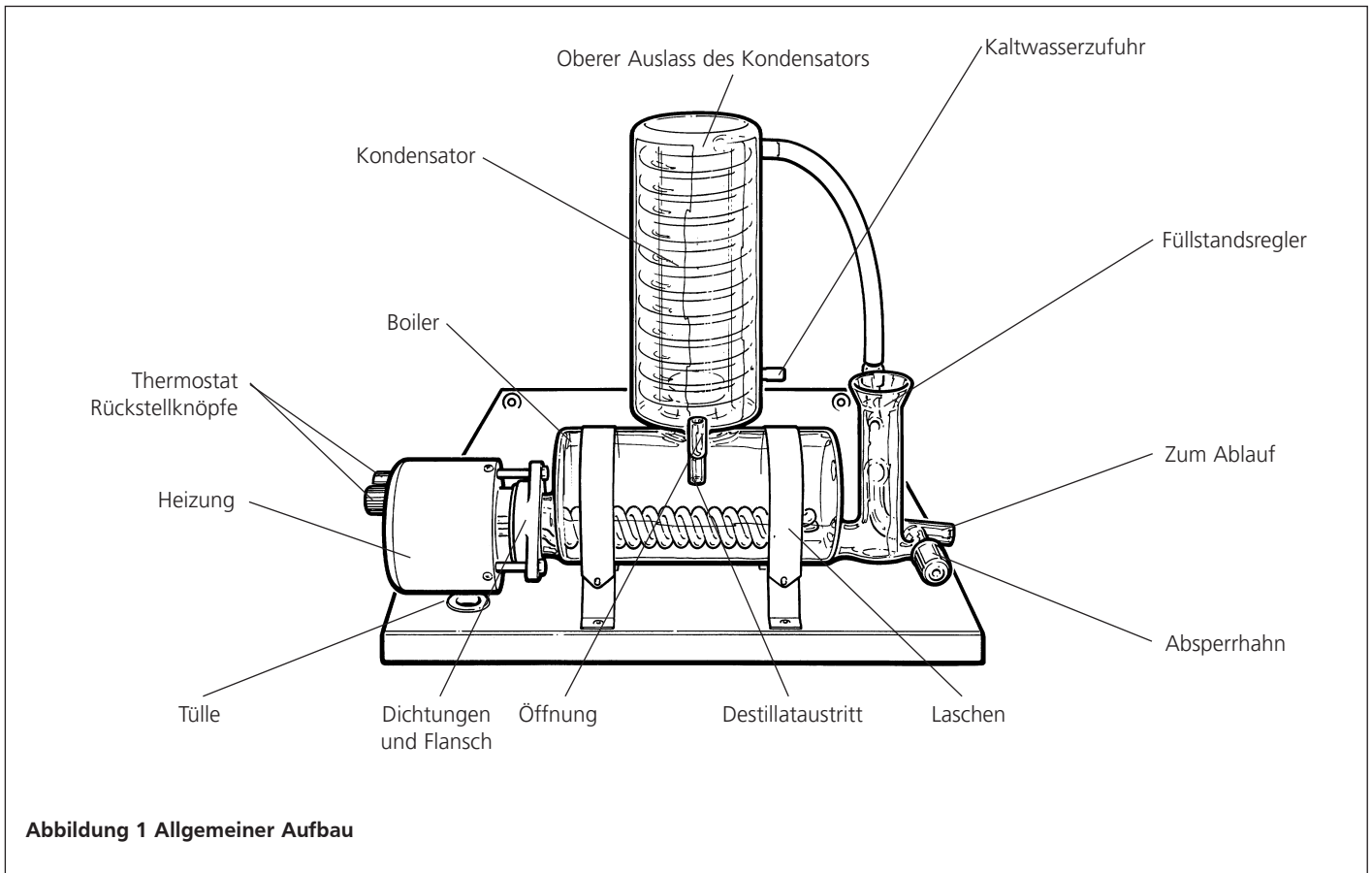
Nota - La localización de fallos sólo debe realizarse por personal debidamente cualificado.

Síntoma	Causa	Solución
1. El nivel de agua de la caldera es demasiado BAJO. ej.: - calefactor expuesto.	<ul style="list-style-type: none"> a) Suministro de agua de entrada/refrigeración insuficiente. b) La llave de paso de la caldera se ha dejado abierta inadvertidamente. 	<ul style="list-style-type: none"> a) Aumente el caudal de agua a aprox. 60 litros/hora b) Cierre la llave de paso.
2. El nivel de agua de la caldera es demasiado ALTO. ej.: - agua hirviendo pasa al condensador.	<ul style="list-style-type: none"> a) Suministro de agua de entrada/refrigeración excesivo. b) Caudal de agua de desagüe restringido. 	<ul style="list-style-type: none"> a) Reduzca el caudal de agua a aprox. 60 litros/hora b) Asegúrese de que el tubo de desagüe cae libremente.
3. El agua de la caldera se "bombee" fuera de la caldera y se vacía.	<ul style="list-style-type: none"> a) El tubo que va de la salida de destilado del condensador hasta el depósito está restringido. b) El respiradero en la salida de destilado del condensador está bloqueado. c) Suministro de agua de entrada/refrigeración insuficiente. 	<ul style="list-style-type: none"> a) Asegúrese de que el tubo cae libremente al depósito sin dobleces ni pliegues. b) Elimine la obstrucción. c) Aumente el caudal de agua a aprox. 60 litros/hora
4. La temperatura del destilado es alto, ej.: - superior a 50°C.	Caudal de agua de refrigeración insuficiente.	Aumente el caudal de agua a aprox. 60 litros/hora
5. Caudal del destilado inferior a 4 litros/hora.	Voltaje de red bajo. Caudal de agua de refrigeración excesivo.	- Reduzca el caudal a 60 litros/hora.
6. Calidad del destilado deficiente*:	Caldera con muchas incrustaciones.	Limpie la caldera.
7. El calefactor no funciona.	<ul style="list-style-type: none"> a) Calefactor quemado. b) Fusible de red eléctrica fundido. c) Accionamiento del termostato. 	<ul style="list-style-type: none"> a) Sustituya el calefactor. b) Sustituya el fusible. c) Reajuste.
Desconexión permanente del interruptor diferencial	La integridad del calentador	Sustituir el interruptor diferencial

*La calidad del destilado determinada por pH o conductividad eléctrica está muy influida por la temperatura y la presencia de dióxido de carbono absorbido.

Cole-Parmer Wasserdestillier-Apparat WS-100-4 & WS-100-4-220

Deutsch



Vor dem Gebrauch

Wird das Gerät nicht entsprechend dieser Anleitung betrieben, so können die Schutzfunktionen des Geräts beeinträchtigt werden.

HINWEIS: Der Cole-Parmer Wasserdestillier-Apparat gilt als ortsfestes Gerät und muss von einem Elektrofachmann entsprechend den Anweisungen im Kapitel „Elektrischer Anschluss“ angeschlossen werden.

Der Cole-Parmer Wasserdestillier-Apparat ist für den Einsatz unter folgenden Bedingungen ausgelegt:

- ❖ Nur für den Gebrauch in Innenräumen
- ❖ Umgebungstemperatur zwischen +5°C und +40°C
- ❖ Höhe: bis zu 2000 m
- ❖ Relative Feuchte nicht über 80%
- ❖ Netzspannungsschwankungen nicht über 10%
- ❖ Überspannungsklasse II IEC60364-4-443
- ❖ Verschmutzungsgrad 2 IEC664

Einsatzbeschränkungen

Dieses Produkt entspricht den geltenden EU-Normen für Hochfrequenzstörungen so dass ein störungsfreier Betrieb in Verbindung mit Geräten ähnlichen Standards vorausgesetzt werden darf. Wir können jedoch nicht gewährleisten, dass im Umfeld betriebene Geräte diesen Anforderungen entsprechen, oder dass keine Störungen in der Praxis auftreten werden. Bei Verletzungsgefahr, sowie bei Gefahr von Schädigung oder Verlust durch fehlerhafte Funktionsweise aufgrund von Hochfrequenzstörungen (aber auch für allgemeine Informationen bezüglich des Gebrauchs) wenden Sie sich bitte an die Kundendienstabteilung von Antylia Scientific.

Aufstellung

Der Cole-Parmer Wasserdestillier-Apparat kann an der Wand oder auf einem Tisch montiert werden. Wählen Sie einen zweckmäßigen Aufstellort der folgende Anschlüsse bietet:

Stromversorgung

Kontrollieren Sie vor dem Anschließen bitte ob die Stromversorgung für dieses Gerät geeignet ist. Der Cole-Parmer Wasserdestillier-Apparat WS-100-4 benötigt folgende Stromversorgung: 3kW, 220-240V, 50/60Hz~ einphasig. Das Modell WS-100-4-220 benötigt folgende Stromversorgung 3kW, 200-240V, 50/60Hz~ einphasig. Versorgungsmaterialien sollten mit a gepasst werden 30mA RCD Stromunterbrecher

Wasserzufuhr

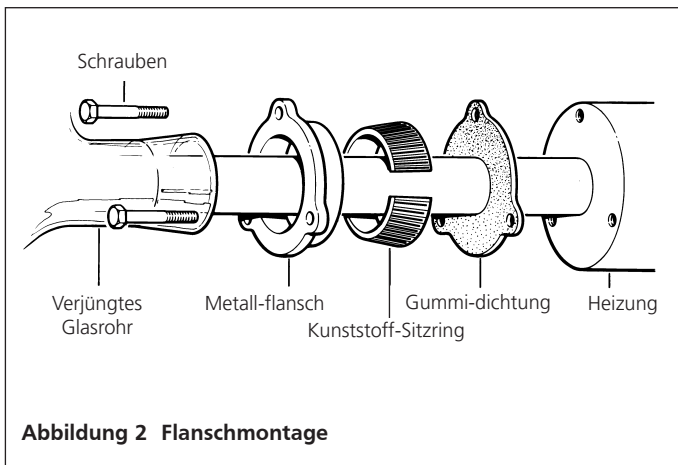
Eine Kaltwasserversorgung mit einem Mindestdurchsatz von 60 l/h.

Abfluss

Ein Abwasserablauf unterhalb des Destillierapparats, sodass der Abwasserschlauch knickfrei hängen kann ohne den Ablauf zu beeinträchtigen.

Behälter

Unter dem Destillierapparat muss sich ein Auffangbehälter für das Destillat befinden.



Montage

1. Packen Sie den Wasserdestillier-Apparat aus und vergleichen Sie die Komponenten mit folgender Aufstellung:

Anz.	Bauteil	Katalog-Nr.
1	Ständer mit 2 Boiler-Laschen	W4000/S
1	Boiler	W4000/B
1	Kondensator	WC48/M2
1	Heizung	A6/6 (240V) oder A6/6/EURO (220V)
1	Schlauch-Set	W4000/HK
1	Dichtungssatz	W4000/GK

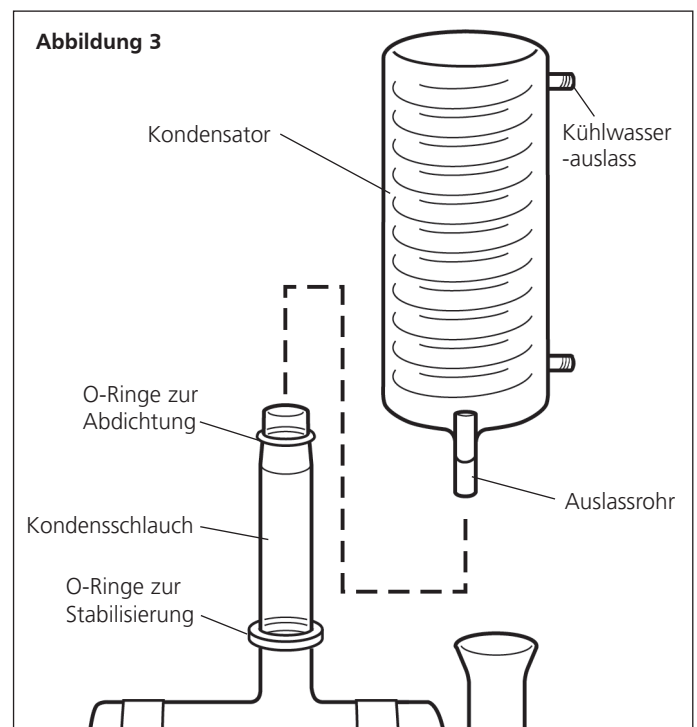
2. Stellen Sie den Metallständer an einem geeigneten Ort auf. Beachten Sie die beiden Schraubenlöcher für eine evtl. Wandmontage.



Verwenden Sie bei einer Wandmontage unbedingt passende Aufhängeelemente, die mindestens 28kg tragen können. Sollten irgendwelche Zweifel bestehen, suchen Sie Rat bei einem Experten.

3. Nehmen Sie den Boiler W4000/B, das Heizelement und den Dichtungssatz W4000/GK zur Hand. Montieren Sie das Heizgerät nach Abbildung 2.
 - i) Die 3 mitgelieferten Schrauben in die Löcher des Metallflansches einsetzen, und den Metallflansch auf das konische Glasrohr des Heizkessels setzen. Dabei sicherstellen, dass die flache Seite des Flansches in Richtung des Heizkessels zeigt.

- ii) Nehmen Sie den Kunststoff-Sitzring und setzen Sie ihn so auf das Glasrohr auf, dass er in den Metallflansch reicht. Ziehen Sie Flansch und Sitzring zusammen in Richtung Glasrohrende, sodass beide auf das Glas drücken.
 - iii) Positionieren Sie die Gummidichtung auf den Heizspiralen und setzen Sie dann das Heizelement durch das verjüngte Glasrohr in den Boiler ein.
 - iv) Jetzt kann die Heizung mit den 3 beiliegenden Schrauben befestigt werden. Schrauben nicht zu stark anziehen.
4. Setzen Sie Boiler und Heizgerät in das Gestell ein. Dabei muss der Absperrhahn nach vorne zeigen. Führen Sie das Stromkabel des Heizgeräts durch die Öffnung unten am Ständer ein. Sichern Sie das Gerät mit den beiden beiliegenden Laschen.
 5. Achten Sie darauf, dass die beiden O-Ringe zur Abdichtung und Stabilisierung entsprechend Abbildung 3 richtig eingesetzt sind. Montieren Sie nun den Kondensator WC48/M2, indem Sie ihn am Kondensschlauch des Boilers befestigen. Achten Sie darauf, dass der Destillataustrittsschlauch des Kondensators nach vorne zeigt und dass die Kühlaustrittsflächen parallel zum Gerät verlaufen.



6. Nehmen Sie aus dem Schlauch-Set den 8 mm Kunststoffschlauch (225 mm Länge), der an beiden Ende einen Schraubverbinder aufweist. Schrauben Sie ein Schlauchende in den oberen Kondensatoraustritt und das andere Ende in das Glasgewinde am Füllstandsregler (siehe Abbildung 1). Bei korrekter Montage des Destillier-Apparats besitzt der Schlauch ausreichende Länge und muss nicht unter Zug montiert werden.
7. Nehmen Sie den 16 mm Kunststoffschlauch mit 1000 mm Länge und schließen Sie diesen vorsichtig am Austritt der Füllstandsregelung an. Der Schlauch lässt sich leichter aufschieben wenn er zuvor in heißem Wasser erwärmt wurde. Sichern Sie den Schlauch mit einem Befestigungsband.
8. Führen Sie das freie Schlauchende zum Ablauf. Achten Sie dabei auf knickfreien Verlauf und unbehinderten Wasserablauf.
9. Stellen Sie sicher, dass der Absperrhahn des Füllstandreglers geschlossen ist.

- Schließen Sie den unteren Kondensatoreintritt an die Kaltwasserversorgung an. Der Anschluss an den Kondensator wird durch einen Kunststoff-Schraubverbinder erleichtert.
Achten Sie darauf, dass Verbindungselement und Schlauch nicht unter Zug stehen.
Verwenden Sie nur hochwertige Schläuche und sichern Sie alle Anschlüsse mit Schlauchklemmen.
- Verbinden Sie den Destillataustritt am Kondensator mit einem geeigneten Auffangbehälter.
- Wasserzufuhr öffnen und auf Leckagen prüfen. Anschließend die Wasserzufuhr wieder schließen.

Elektrischer Anschluss



DIESES GERÄT MUSS GEEDET WERDEN!

Der elektrische Anschluss muss von einem Elektrofachmann ausgeführt werden.

Das Gerät wird mit einem 3-adrigen Rundkabel von 1,7 m Länge nach Spezifikation CMA 3183 TQ geliefert. Die Leiter haben einen Querschnitt von 1,5mm² nach BS 6360 Klasse 5 und sind mit Ethylen-Propylen-Kautschuk (EPK) isoliert. Die CSP Außenummantelung hat eine Wärmebeständigkeit von 85°C nach HOFER, BS 6500 Tabelle 9.

Der Anschluss an die elektrische Stromversorgung, sollte über eine Doppel-Pole 30mA RCD Isolation Schutzschalter mit einem kontinuierlichen Strombelastbarkeit von 15A bei 250V und Überstromschutz von 15A, 250V werden.

Diese Vorrichtungen müssen in Gerätenähe montiert werden und folgende Aufschrift tragen: „Abschaltvorrichtung für Cole-Parmer Wasserdestillier-Apparat“

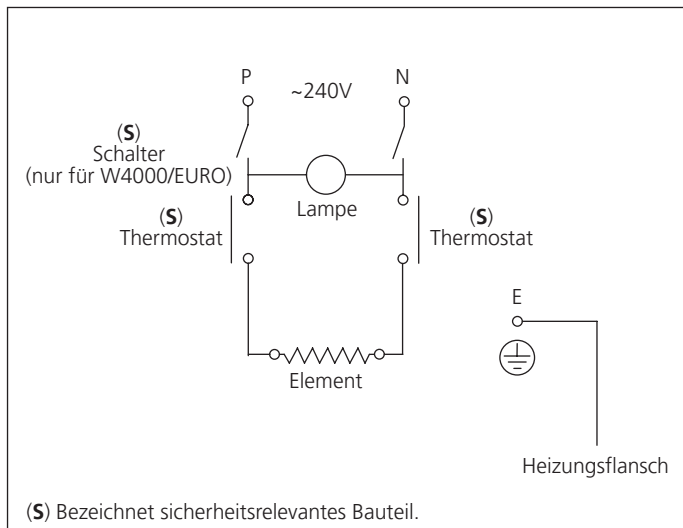
Schließen Sie das Kabel am Netz an. Die Leiter des Gerätekabels sind wie folgt farblich gekennzeichnet:

Braun - Phase
Blau - Null
Gelb/Grün - Erde

Netzkabel ersetzen

Wenn das Netzkabel ersetzt werden muss, darf nur ein spezielles Ersatzkabel von Antylia Scientific verwendet werden.

Schaltplan



Einige Teile des Produkts können während des Gebrauchs heiß werden. Diese Teile sind eindeutig mit Warnungen gekennzeichnet. Den Kontakt mit diesen Teilen vermeiden.

Bedienung

- Drehen Sie die Kaltwasserversorgung auf und stellen Sie die Durchflussrate auf ca. 60 l/h ein.

Hinweise: Es wird dringend empfohlen die Durchflussrate zu messen. Andernfalls kann es zu möglichen Verletzungen durch austretendes Heißwasser aus dem Destillierapparat kommen. Ist kein Durchflussmessgerät vorhanden, so kann eine einfache Messung auch mit einem 1 l Behälter vorgenommen werden. Über einen Zeitraum von fünf Minuten muss sich der Behälter fünf Mal vollständig füllen.

Beobachten Sie, ob das Wasser durch den Kondensator und in den Boiler läuft. Warten Sie bis der Boiler den richtigen Füllstand erreicht hat und sorgen Sie dafür, dass überschüssiges Wasser unbehindert ablaufen kann.

- Schalten Sie am Trennschalter die Stromversorgung zum Heizelement ein.
Bei der Geräteversion WS-100-4-220 müssen Sie zudem den Schalter am Heizgerät selbst einschalten.
- Das Wasser beginnt nach ein paar Minuten zu kochen, sodass Destillat aus dem Kondensator ausläuft. Bei neuen Glasgefäßen bzw. nach der Reinigung empfiehlt es sich das Gerät etwa 30 Minuten lang laufen zu lassen, bevor eine Destillatentnahme stattfindet.
- Zum Abschalten des Destillierapparats wird zuerst das Heizelement abgeschaltet. Lassen Sie dann das Kühlwasser weitere 10 Minuten durchlaufen damit sich das Gerät abkühlen kann.

ACHTUNG!

Dieses Gerät darf ausschließlich zur Destillation von Wasser verwendet werden.

Sicherheitsschalter

Der Cole-Parmer Wasserdestillier-Apparat ist durch zwei Sicherheitsschalter geschützt:

Boiler-Heizthermostat



Sollte der Füllstand im Boiler fallen, sodass die Heizelemente freigelegt werden, aktivieren sich die Thermostate und schalten die Stromzufuhr zum Heizelement aus.

Nach Aktivierung einer der beiden Thermostate kann der Normalbetrieb wieder aufgenommen werden, indem der Thermostat durch den Rückstellknopf auf der Endabdeckung der Heizung wieder zurückgestellt wird.

Nehmen Sie die schwarze Kunststoffabdeckung ab und drücken Sie dann den Knopf - Sie hören ein leichtes Klickgeräusch, wenn der Thermostat tatsächlich aktiviert worden ist.



Vor dem Rückstellen eines Thermostats den Destillierapparat vollständig abkühlen lassen und die Ursache der Störung ausfindig machen und beheben.

Bei wiederholtem Auslösen der Thermostate wenden Sie sich bitte an einen Elektrofachmann oder setzen Sie sich mit der Kundendienstabteilung von Antylia Scientific in Verbindung.

Pflege und Wartung

HINWEIS: Vor allen Instandhaltungs- und Reinigungsarbeiten, sowie vor der Fehlersuche das Gerät vom Netz trennen. Diese Arbeiten müssen von entsprechend geschultem Personal ausgeführt werden.

Es dürfen nur Ersatzteile verwendet werden, die von Antylia Scientific dessen Niederlassungen geliefert wurden. Der Einbau anderer Teile kann die Leistung und Sicherheitsfunktionen dieses Geräts beeinträchtigen.

Wartung

Aufgrund der Beschaffenheit dieser Komponenten müssen Kunststoffschläuche und Verbindungselemente regelmäßig kontrolliert werden. Schläuche und Verbindungselemente müssen zugfrei montiert sein. Beide Komponenten müssen unversehrt sein und dürfen keine Risse aufweisen. Wird eine Beschädigung festgestellt, so ist der Destillierapparat sofort abzuschalten (siehe hierzu den Abschnitt "Bedienung" in dieser Anleitung) und darf erst nach Austausch der entsprechenden Teile wieder in Betrieb genommen werden. Bestellnummern finden Sie im Abschnitt "Ersatzteilliste" dieser Anleitung.

Reinigung

Über einen gewissen Betriebszeitraum lagert sich Kesselstein im Boiler ab. Um die optimale Leistung des Geräts zu erhalten, müssen diese Ablagerungen regelmäßig entfernt werden.

Dabei hängt der zeitliche Reinigungsabstand stark von der Wasserhärte und der Einsatzhäufigkeit des Geräts ab. Häufig benutzte Destillierapparate in Hartwassergebieten müssen u. U. einmal pro Woche entkalkt werden, während in Gegenden mit weichem Wasser eine Reinigung nur alle paar Wochen erforderlich ist.

HINWEIS: Starke Kalkablagerungen beeinträchtigen die Qualität des destillierten Wassers und können die Lebensdauer der Heizelemente verkürzen.

Der Cole-Parmer Wasserdestillier-Apparat kann ohne Demontage der Glasgefäße gereinigt werden, indem Sie die einschlägigen Sicherheitsvorschriften beachten und wie folgt vorgehen:

1. Schalten Sie die Stromzufuhr zum Gerät ab und lassen Sie es vollständig abkühlen.
2. Schließen Sie die Kaltwasserzufuhr.
3. Öffnen Sie den Absperrhahn der Füllstandsregelung und warten Sie bis sich der Boiler ganz entleert hat. Schließen Sie den Absperrhahn wieder.
4. Öffnen Sie die Kaltwasserzufuhr und lassen Sie den Boiler etwa auf halben Wasserstand voll laufen. Wasserzufuhr wieder schließen.
5. Gießen Sie etwa 1 Liter mit 10% Ameisensäure oder ein Entkalkungsmittel in die Trichteröffnung des Füllstandreglers ein.

Vermeiden Sie starke Säuren wie z. B. Salzsäure, da diese zu starker Korrosion am Metallheizelement führen können.

ACHTUNG!

BEI DER VERWENDUNG VON SÄUREN IMMER ÄUSSERST VORSICHTIG VORGEHEN. BEI DER ENTKALKUNG SCHUTZKLEIDUNG, HANDSCHUHE UND GESICHTSSCHUTZ TRAGEN. ALLE VERSCHÜTTETEN SÄUREN SOFORT AUFWISCHEN.

Öffnen Sie die Wasserzufuhr und füllen Sie den Boiler bis zum normalen Füllstand. Die Säure wird durch das Wasser in den Boiler gespült. Kurz bevor der Wasserstand im Boiler den Überlauf erreicht, die Wasserzufuhr abstellen.

6. Lassen Sie die Säure im Boiler, damit sich die Kalkablagerungen lösen können. Dies kann je nach Ausmaß der Ablagerungen einige Zeit beanspruchen.
7. Öffnen Sie den Absperrhahn und lassen Sie den Boiler auslaufen.
Hinweis: Wenn die Säure im Boiler nicht vollständig neutralisiert wurde, kann das Abflusswasser stark sauer sein. In diesem Fall sind entsprechende Vorsichtsmaßnahmen am Abfluss zu treffen, sowie alle Abwasserkontrollmaßnahmen zu befolgen.
8. Schließen Sie den Absperrhahn, drehen Sie die Wasserzufuhr auf und lassen Sie den Boiler mit kaltem Wasser voll laufen. Drehen Sie die Wasserzufuhr ab, öffnen Sie den Absperrhahn und warten Sie bis sich der Boiler entleert hat. Wiederholen Sie diesen Vorgang drei Mal.
9. Der Cole-Parmer Wasserdestillier-Apparat kann nun wieder in Betrieb genommen werden (siehe Anweisungen unter „Bedienung“ in diesem Handbuch). **Hinweis:** der Ständer und die Glasaußenflächen sollten mit einem feuchten Tuch und einem milden Reinigungsmittel gesäubert werden.

Ersatzteilliste

Die folgenden Teile sind über die meisten Laborbedarfshändler erhältlich. Bei Bezugsschwierigkeiten wenden Sie sich bitte an Antylia Scientific.

	Kat. Nr.
Boiler	W4000/B
Kondensator	WC48/M2
Heizung (einschl. Thermostate) 240V	A6/6
(einschl. Thermostate) 220V	A6/6/EURO
Heizungsmontagesatz	W4000/GK
(Flansch,Dichtung, Sitzring und Schrauben)	
Satz Schläuche	W4000/HK

Störungssuche

Im Falle von Betriebsstörungen des Geräts beachten Sie bitte zunächst die folgenden Informationen.

Falls sich die Ursache der Störung nicht feststellen oder beheben lässt, wenden Sie sich bitte an Ihren Fachhändler oder an die Kundendienstabteilung von Antylia Scientific.

Hinweis - Die Störungssuche darf nur von entsprechend geschultem Personal durchgeführt werden.

Symptom	Ursache	Abhilfe
1. Wasserstand im Boiler zu NIEDRIG z. B. - freiliegendes Heizelement.	a) Speise-/Kaltwasserzufuhr unzureichend. b) Absperrhahn am Boiler wurde versehentlich offen gelassen.	a) Wasserdurchfluss auf ca. 60 Liter/Stunde erhöhen. b) Absperrhahn schließen.
2. Wasserstand im Boiler zu HOCH. z. B. - kochendes Wasser läuft in den Kondensator.	a) Speise-/Kaltwasserzufuhr überhöht. b) Wasser kann nicht frei ablaufen.	a) Wasserdurchfluss auf ca. 60 Liter/Stunde begrenzen. b) Auf unbehinderten Ablaufschlauch achten.
3. Wasser im Boiler wird aus dem Boiler zum Ablauf „gepumpt“.	a) Schlauchblockierung zwischen Destillataustritt und Sammelbehälter. b) Blockierung entfernen. Destillataustritt blockiert. c) Speise-/Kaltwasserzufuhr unzureichend.	a) Schlauch muss knickfrei zum Sammelbehälter laufen. b) Öffnung am Kondensator- c) Wasserdurchfluss auf ca. 60 Liter/Stunde erhöhen.
4. Destillat-Temperatur zu hoch, d. h. - über 50°C.	Kaltwasserdurchfluss unzureichend.	Wasserdurchlauf auf ca. 60 Liter/Stunde erhöhen.
5. Destillatabgabe liegt unter 4 Liter/Stunde.	Niedrige Netzspannung. Zu hoher Kaltwasserdurchlauf.	- Auf 60 Liter/Stunde begrenzen.
6. Schlechte Destillatqualität*.	Starke Kalkablagerungen im Boiler.	Boiler reinigen.
7. Heizelement funktioniert nicht.	a) Defektes Heizelement b) Sicherung austauschen. c) Thermostat aktiviert.	a) Heizelement ersetzen. b) Netzsicherung durchgebrannt. c) Zurückstellen.
Anhaltende Auslösung des FI-Schalters	Integrität des Heizers	Ersetzen des FI-Schalters

*Bei Untersuchung des pH-Gehalts bzw. der elektrischen Leitfähigkeit wird die Destillatqualität stark durch die Temperatur und die Anwesenheit von gelöstem Kohlendioxid beeinflusst.



This product meets the applicable CE Directives and UKCA Legislation for radio frequency interference and may be expected not to interfere with, or be affected by, other equipment with similar qualifications. We cannot be sure that other equipment used in its vicinity will meet these standards and so we cannot guarantee

that interference will not occur in practise. Where there is a possibility that injury, damage or loss might occur if equipment malfunctions due to radio frequency interference, or for general advise before use, contact the manufacturer.

Declaration of Conformity is available to view online at www.coleparmer.com

EU Representative address

Antylia Scientific GmbH
Futtererstraße 16
97877 Wertheim
Deutschland
Tel: +49 9377 9203-0
Email: sales@coleparmer.de

UK Representative address

Antylia Scientific
9 Orion Court
Ambuscade Road
Colmworth Business Park
St. Neots
PE19 8YX
United Kingdom
Tel: +44 (0) 1480 277339
Email: enquiries@antylia.com

Ordering Information

Order No.	Series	Model	Legacy SKU
99293-00	WS-100	WS-100-4	W4000
99295-02	WS-100	WS-100-4-120	W4000/120V
99295-08	WS-100	WS-100-4-A	W4000/A
99295-06	WS-100	WS-100-4-220	W4000/EURO

Warranty Registration



UK

T: +44 (0) 1480 272279
E: uk.sales@antylia.com
W: coleparmer.co.uk

India

T: +9122 61394444
E: info@coleparmer.in
W: coleparmer.in

Germany

T: +49 (0) 9377 92030
E: de.sales@antylia.com
W: coleparmer.de

China

T: +1 847 549 7600
E: sales@antylia.com
W: coleparmer.com

France

T: +33 (0) 1486 37800
E: fr.sales@antylia.com
W: coleparmer.fr

USA

T: +1 847 549 7600
E: sales@antylia.com
W: coleparmer.com

Italy

T: +39 (0) 284349215
E: it.sales@antylia.com
W: coleparmer.it

Canada

T: +514 355 6100
E: info@antylia.ca
W: coleparmer.ca

Other

T: +1 847 549 7600

Cole-Parmer®
essentials

Antylia Scientific Ltd

Beacon Road,
Stone,
Staffordshire,
ST15 0SA,
United Kingdom

